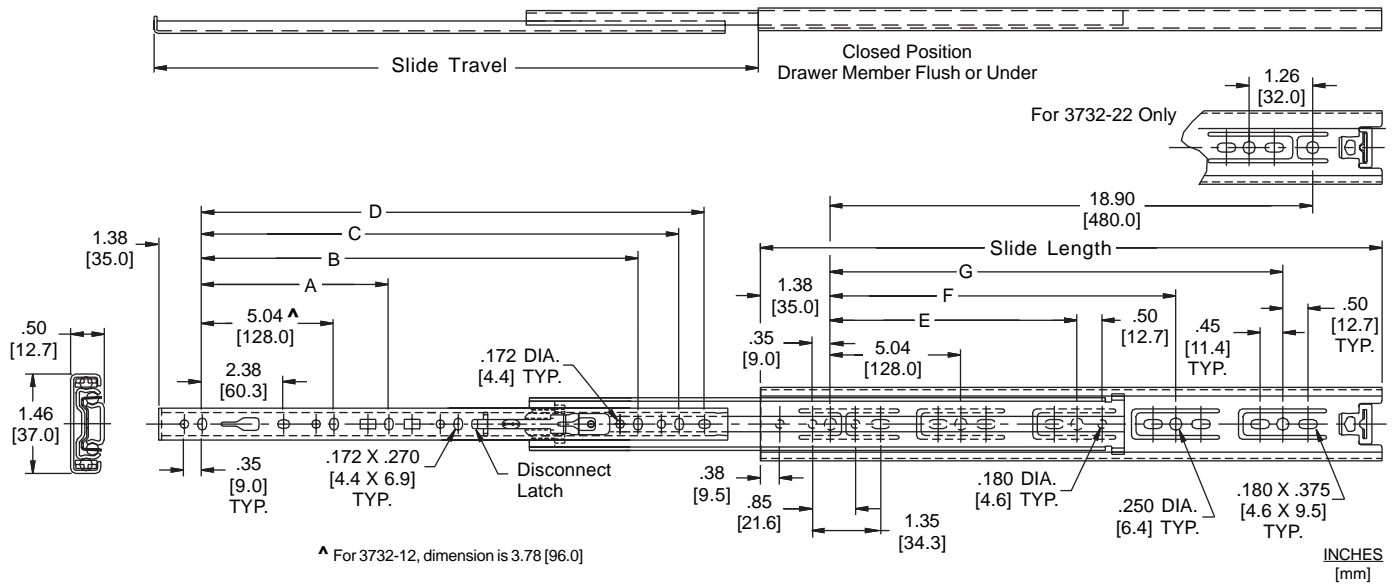
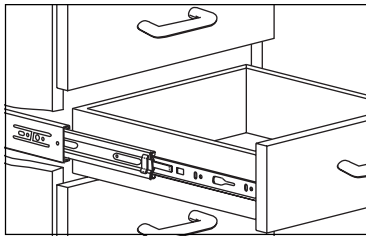


**APPLICATIONS:** Box drawers in residential and institutional furniture, medium duty kitchen and bathroom cabinets. Use for side mount only. **Not for lateral file drawer applications. This product is covered by U.S. and various foreign patents issued and/or pending.**

Full Extension Drawer Slide  
100 lb. \*\* [45.5 kg.] Capacity  
32mm System Compatible  
Optional Face Frame Mounting



**Finish** Bright electro-zinc (C), black zinc\* (CB), or white electrocoating\* (EW)

**Length** 12" to 26" [300mm to 650mm]

**Travel** See chart below

**Height** 1.46" [37mm]

**Load** 100 lbs. [45.5 kg.] per pair\*\*

**Side Space** .50" +.062/-0.00 [12.7mm +1.6mm/-0.0]

**Ball Bearings** C and CB slide finish - steel ball bearings  
EW slide finish - polymer ball bearings

**Disconnect** Push latch into member to disconnect

**Mounting** Side, optional rear face frame bracket

**Hardware** Flat head 6mm Euro System screw or #8 pan head screw

**Features** Hold-in detent, silenced open and closed

\* Minimum order quantities may apply. \*\*Load rating based on an 18" slide on a 16" wide drawer cycled 50,000 times.

Part Number	Length	Travel	A	B	C	D	E	F	G
3732-12	11.81 [300]	11.50 [292]				9.09 [230.8]	8.82 [224.0]		
3732-14	13.78 [350]	14.00 [356]				11.06 [280.8]	8.82 [224.0]		
3732-16	15.75 [400]	16.00 [406]				13.03 [330.8]	8.82 [224.0]		12.60 [320.0]
3732-18	17.72 [450]	18.00 [457]		12.60 [320.0]		14.99 [380.8]	8.82 [224.0]		13.86 [352.0]
3732-20	19.69 [500]	20.00 [508]		12.60 [320.0]		16.96 [430.8]	8.82 [224.0]		16.38 [416.0]
3732-22	21.65 [550]	22.00 [559]		12.60 [320.0]	16.38 [416.0]	18.93 [480.8]	8.82 [224.0]	13.86 [352.0]	
3732-24	23.62 [600]	24.00 [610]	8.82 [224.0]	16.38 [416.0]		20.90 [530.8]	8.82 [224.0]	13.86 [352.0]	18.90 [480.0]
3732-26	25.59 [650]	26.00 [660]	8.82 [224.0]	16.38 [416.0]	21.42 [544.0]	22.87 [580.8]	8.82 [224.0]	13.86 [352.0]	21.42 [544.0]

## Installation Instructions

1. Separate slide members by pushing the disconnect latch into the drawer member.
2. Install large cabinet members. For conventional mounting see Figure 1. See Figure 3 for 32mm mounting.
3. Check that both cabinet members are vertically and horizontally parallel. Make necessary adjustments.
4. Install drawer member through vertical slots. See Figure 2 for conventional and 32mm mounting.
5. Insert drawer member after making sure ball bearing retainers are fully forward. Close drawer completely.
6. Adjust position and install two more screws in round holes in each member.

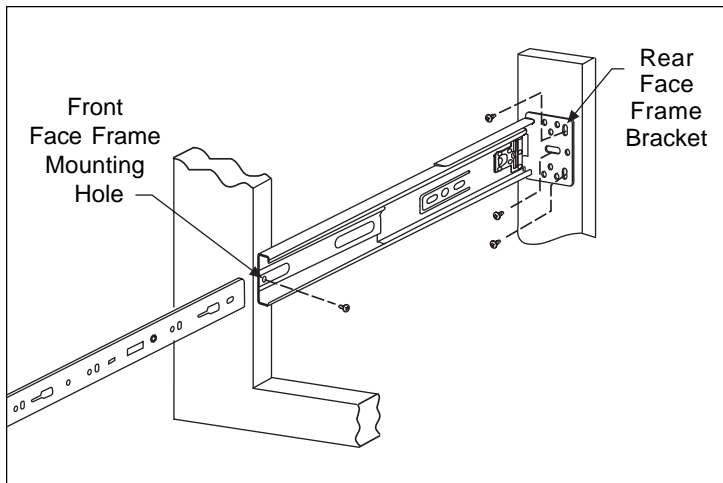
## Slide Ordering Instructions

Complete your slide order for model 3732 by specifying the following:

Total Required Slides \_\_\_\_\_ 100 Pair C 3732 -16 D  
 Slide Finish \_\_\_\_\_  
 Slide Model \_\_\_\_\_  
 Slide Length \_\_\_\_\_  
 Optional Polybag Packaging - includes screws \_\_\_\_\_

## Optional Hardware Kits - Ordered Separately

For face frame mounting, order kit 4180-0431-XE. Kit contains 2 rear mounting brackets and installation sheet packaged together in a polybag. Mounting screws **not** included. Order one kit per pair of slides ordered.



## Packaging

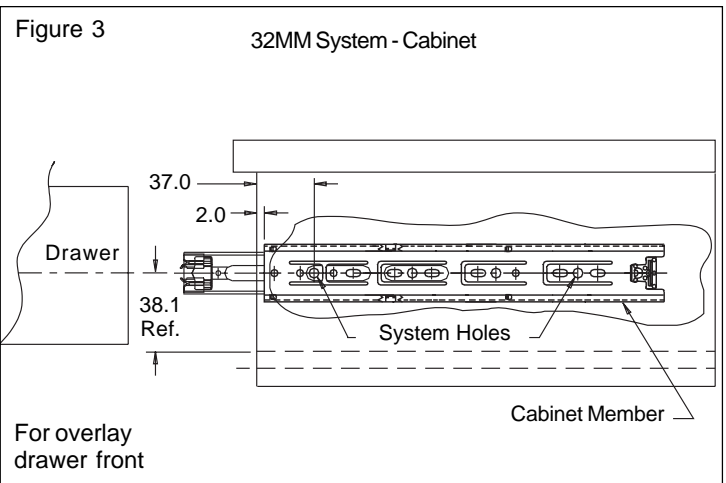
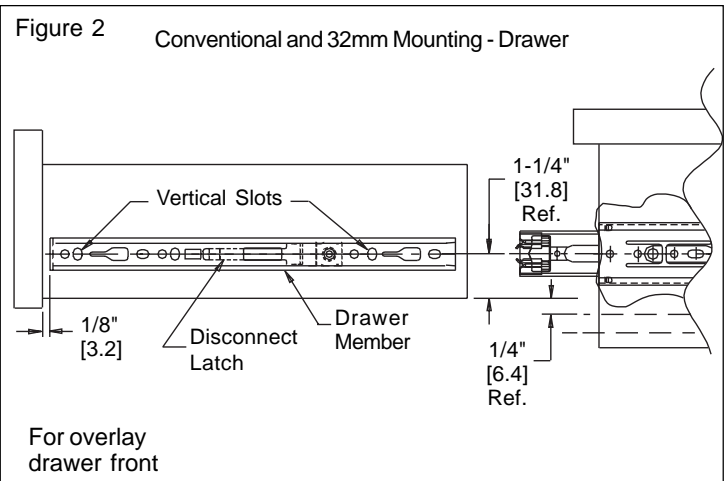
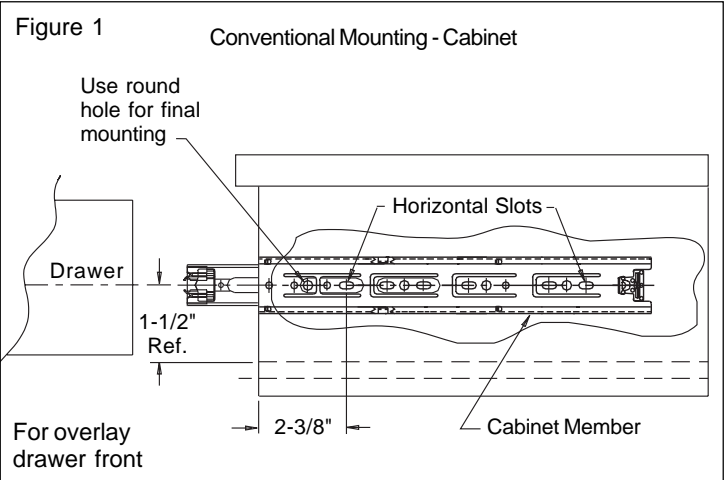
**Distributor (D) Pack:** All lengths are packaged 10 pair/box. Polybag includes one pair of slides packed with screws.

**Bulk Pack:** All lengths are packaged 10 pair/box. Slides and screws are ordered and packaged separately.

## Specifications

Slide members: Cold rolled steel  
 Ball retainers: Cold rolled steel  
 Ball bearings: Acetal polymer and carburized steel

**Note:** Specifications, materials, prices, terms, and delivery are subject to change without notice.



# Accuride

ACCURIDE INTERNATIONAL INC.

12311 Shoemaker Avenue  
 Santa Fe Springs, CA 90670

TEL (562) 903-0200

FAX (562) 903-0208

www accuride.com

Manufacturing, Engineering, and Sales

United States • Germany • Japan • Mexico • United Kingdom