

This state-of-the-art combination knife holder/cutting board system glides on full-extension ball bearing slides and is designed for Base 18", 21" and 24" cabinets. The 4KCB Series features a removable mineral oil treated cutting board and three divided sections including a unique seven-slot knife holder compartment. Simply attach the drawer front to the 4KCB for a convenient and user-friendly organizer.



**No drawer box needed!**

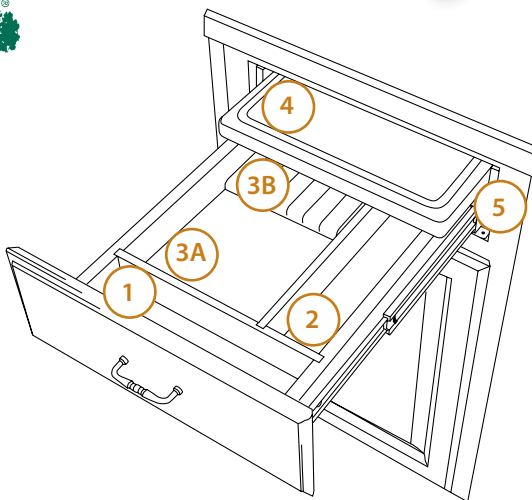
The 4KCB arrives as a complete set so all you need to add is a drawer front.



Adjustable rear mounting bracket attaches to the rear of your cabinet.



DRAWER ACCESSORIES



	Base 18	Base 21	Base 24
1. Front Storage	11"W x 2 1/4"D x 2 1/8"H 280 mm x 73 mm x 54 mm	16 1/4"W x 2 1/4"D x 2 1/8"H 413 mm x 73 mm x 54 mm	19 1/4"W x 2 1/4"D x 2 1/8"H 489 mm x 73 mm x 54 mm
2. Side Storage	2 1/2"W x 16 1/4"D x 2 1/8"H 72 mm x 418 mm x 54 mm One Slot	2 1/2"W x 16 1/4"D x 2 1/8"H 70 mm x 418 mm x 54 mm Two Slots	2 3/4"W x 16 1/4"D x 2 1/8"H 70 mm x 418 mm x 54 mm Three Slots
3a. Knife Storage Area	7 3/8"W x 16 1/4"D x 2 1/8"H 199 mm x 418 mm x 54 mm	7 3/8"W x 16 1/4"D x 2 1/8"H 199 mm x 418 mm x 54 mm	7 3/8"W x 16 1/4"D x 2 1/8"H 199 mm x 418 mm x 54 mm
3b. Knife Holder	7 3/8"W x 9"D x 3/4"H 197 mm x 229 mm x 19 mm	7 3/8"W x 9"D x 3/4"H 197 mm x 229 mm x 19 mm	7 3/8"W x 9"D x 3/4"H 197 mm x 229 mm x 19 mm
4. Cutting Board	13 3/4"W x 20"L x 1 1/4"H 350 mm x 508 mm x 32 mm	16 1/4"W x 20"L x 1 1/4"H 413 mm x 508 mm x 32 mm	19 1/4"W x 20"L x 1 1/4"H 489 mm x 508 mm x 32 mm
5. Support Frame <small>(Min. Overall PRODUCT DIMENSIONS)</small>	14 1/2"W x 22 1/4"D x 5"H 368 mm x 566 mm x 127 mm	17 1/2"W x 22 1/4"D x 5"H 445 mm x 566 mm x 127 mm	20 1/2"W x 22 1/4"D x 5"H 521 mm x 566 mm x 127 mm

PRODUCT #s	DESCRIPTION	PRODUCT DIMENSIONS	FINISH	SET PER CARTON	WEIGHT PER CARTON	SUGGESTED LIST PRICE
<b>Knife Holder and Cutting Board</b>						
4KCB-18	Knife Holder and Cutting Board Drawer System	14 1/2" (368 mm)W x 22 1/4" (566 mm)D x 4 3/4" (119 mm)H	Wood	1	25 lbs.	\$186.90
4KCB-21	Knife Holder and Cutting Board Drawer System	17 1/2" (445 mm)W x 22 1/4" (566 mm)D x 4 3/4" (119 mm)H	Wood	1	28 lbs.	\$205.45
4KCB-24	Knife Holder and Cutting Board Drawer System	20 1/2" (520 mm)W x 22 1/4" (566 mm)D x 4 3/4" (119 mm)H	Wood	1	31 lbs.	\$220.25
<b>Individual Pack</b>						

**CONTAINS:**

Knife Rest, Cutting Board, Full-Extension Slides, Mounting Hardware and Screws. *Knives Not Included*

**NOTE:**

Adjustable depth, designed for 24" (588 mm)D cabinets (Base 18", 21" & 24" drawers.)