

# 4WLS SERIES

# WOOD HALF MOON SHELF

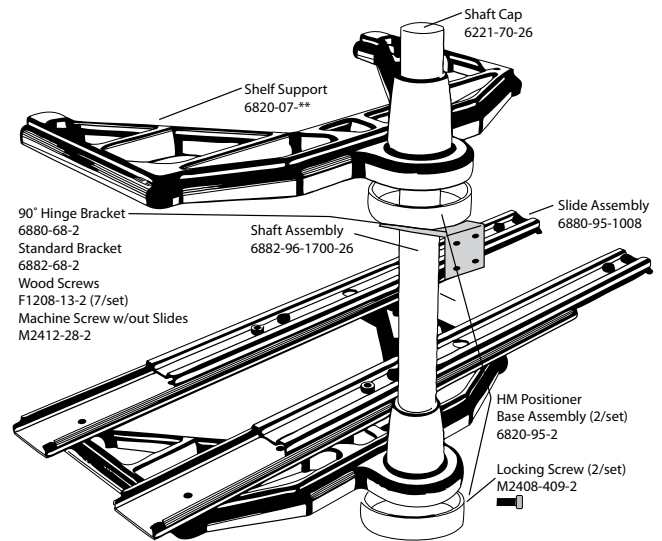
Introducing the new Wood Half Moon Lazy Susan. This beautiful blind corner cabinet solution is made of 5/8" thick high-density multi-ply shelf with 1" high solid wood rim and is protected with a UV-cured clear coat finish. Drilled for Rev-A-Shelf hardware, the two shelf system features pivot and pull slides that are adaptable to left or right hand cabinet applications.



**HARDWARE UPGRADE  
FEATURES NEW SLIDES.**

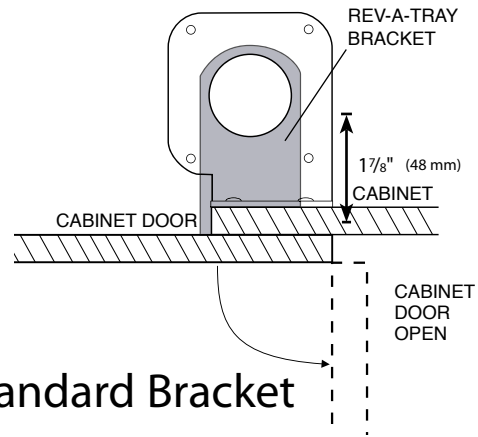
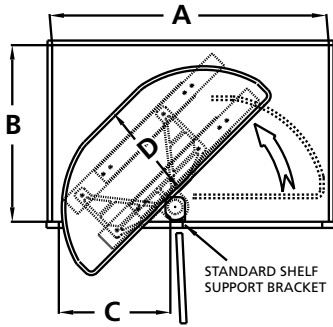


**SEE PAGE 48  
FOR DETAILED  
LIP SPECIFICATIONS**



PRODUCT #'s	DESCRIPTION	PRODUCT DIMENSIONS		FINISH	SET PER CARTON	WEIGHT PER CARTON	SUGGESTED LIST PRICE
<b>Wood Half-Moon Sets</b>							
4WLS882-32-570	Two Shelves with Pivot and Slide Hardware	32" (813 mm)W	Min. Framed Opening 12"	Wood	1	28 lbs.	\$312.60
4WLS882-35-570	Two Shelves with Pivot and Slide Hardware	35" (889 mm)W	Min. Framed Opening 15"	Wood	1	31 lbs.	\$359.00
4WLS882-38-570	Two Shelves with Pivot and Slide Hardware	38" (965 mm)W	Min. Framed Opening 18"	Wood	1	34 lbs.	\$412.25

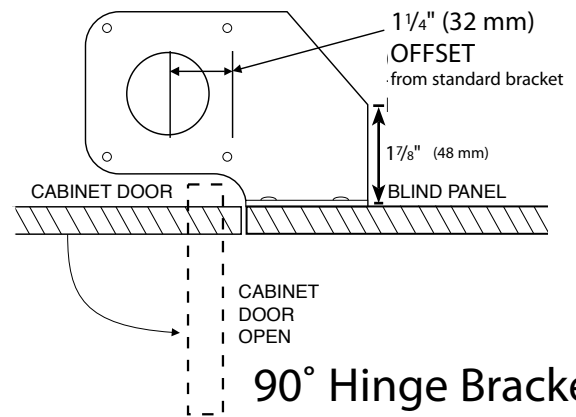
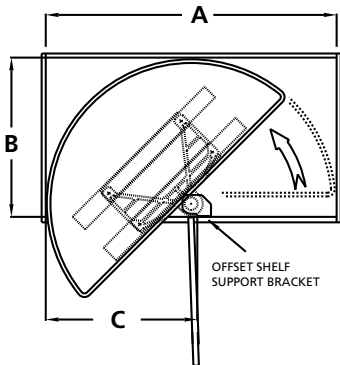
**CONTAINS:** (2) Shelves, (2) shelf supports (6820-07-\*\*); (2) each positioning base (6820-95-2); (1) standard bracket (6882-68-2); (1) Euro bracket (6880-68-2); 17" (432 mm) shaft assy (6882-96-1700-26); (2) pair of slides (6800-1008-04-52) – template and installation instructions. Tested to exceed BHMA Class 1 Specifications.



Standard Bracket

**FRAMED CABINET** DIMENSIONS (A, B, & C) ARE MINIMUMS. 32" TRAY SHOWN IN DIAGRAM.

TRAY SIZE		A		B		C		D	
INCHES	(MM)	INCHES	(MM)	INCHES	(MM)	INCHES	(MM)	INCHES	(MM)
32	813	34 <sup>1</sup> / <sub>4</sub>	870	22	559	12	305	11 <sup>1</sup> / <sub>8</sub>	283
35	889	37	940	22	559	15	381	14 <sup>1</sup> / <sub>8</sub>	359
38	965	39 <sup>1</sup> / <sub>2</sub>	1003	22	559	18	457	17 <sup>1</sup> / <sub>8</sub>	435



90° Hinge Bracket

**FRAMELESS CABINET (EURO)**

DIMENSIONS (A, B, & C) ARE MINIMUMS. 38" TRAY SHOWN IN DIAGRAM.

Smaller Trays have flat backs.

TRAY SIZE		A		B		C	
INCHES	(MM)	INCHES	(MM)	INCHES	(MM)	INCHES	(MM)
32	813	34 <sup>1</sup> / <sub>8</sub>	867	22	559	13 <sup>1</sup> / <sub>4</sub>	337
35	889	35 <sup>3</sup> / <sub>16</sub>	897	22	559	16 <sup>1</sup> / <sub>4</sub>	413
38	965	38 <sup>9</sup> / <sub>16</sub>	980	22	559	19 <sup>1</sup> / <sub>4</sub>	489