

REV·A·SHELF®

2409 Plantside Drive

Jeffersontown, Kentucky 40299

Phone: 1-800-626-1126 (toll free)

www.rev-a-shelf.com

COMPAGNUCCI®



WIRE PRODUCTS AND ENGINEERING

A30ISTR00201 April, 2003

Pattumiera a 2 cesti - Art. 469
Pull-out Dustbin with 2 containers
5469 series

REV·A·SHELF®

2409 Plantside Drive

Jeffersontown, Kentucky 40299

Phone: 1-800-626-1126 (toll free)

www.rev-a-shelf.com

COMPAGNUCCI®





WIRE PRODUCTS AND ENGINEERING


A30ISTR00201 April, 2003


Pattumiera a 2 cesti - Art. 469
Pull-out Dustbin with 2 containers
5469 series

1   (4) M5 x 3,5



1   (4) M5 x 3,5


2   (4) 4x25

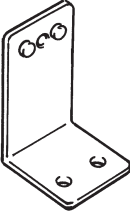
2   (4) 4x25

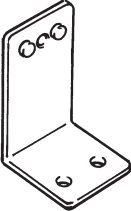
3   (4) 4x20

3   (4) 4x20

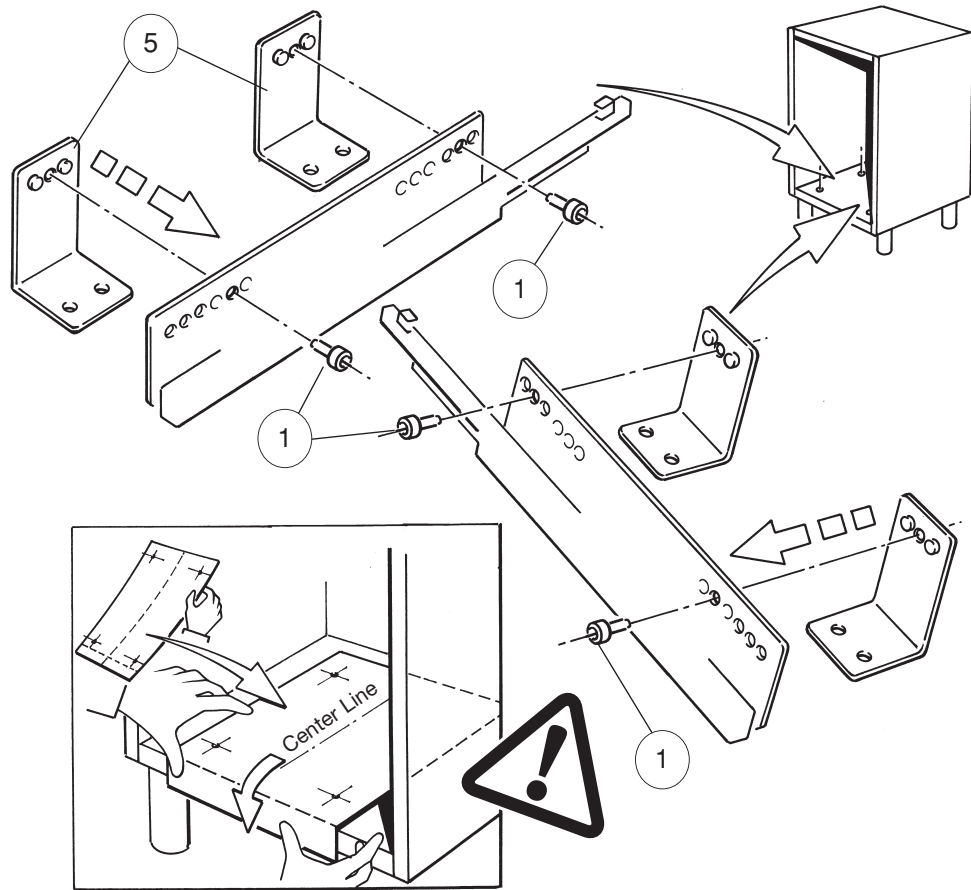
4   (8) 4x16

4   (8) 4x16

5  (4)

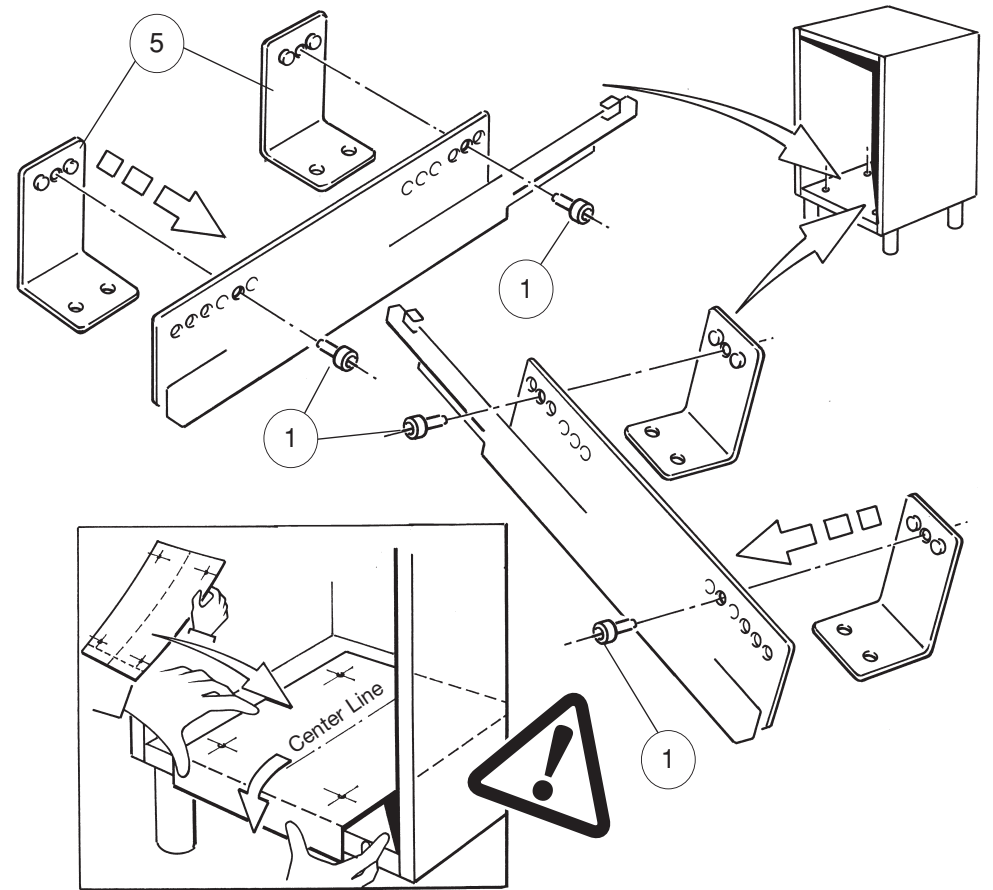
5  (4)

BOTTOM APPLICATION



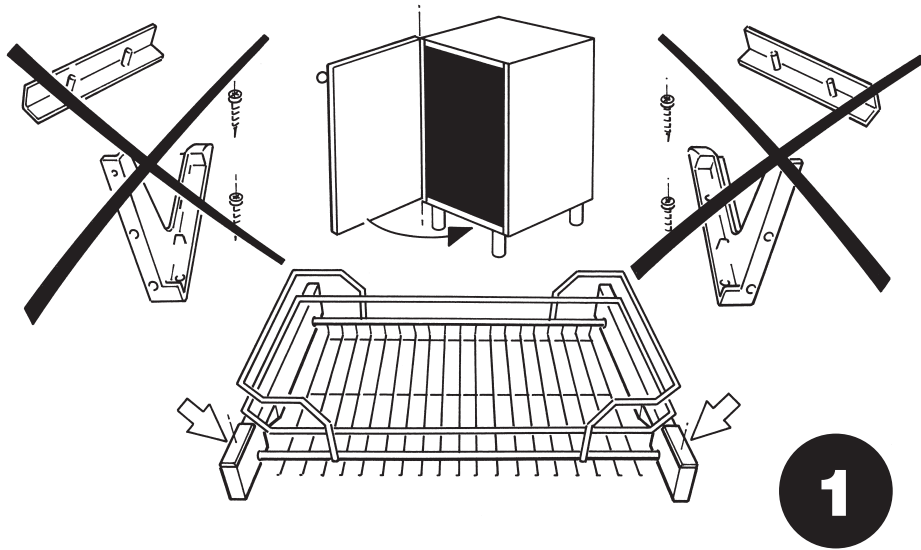
1. Fix Brackets to slides
2. Fix slides to bottom cabinet referring to template

BOTTOM APPLICATION



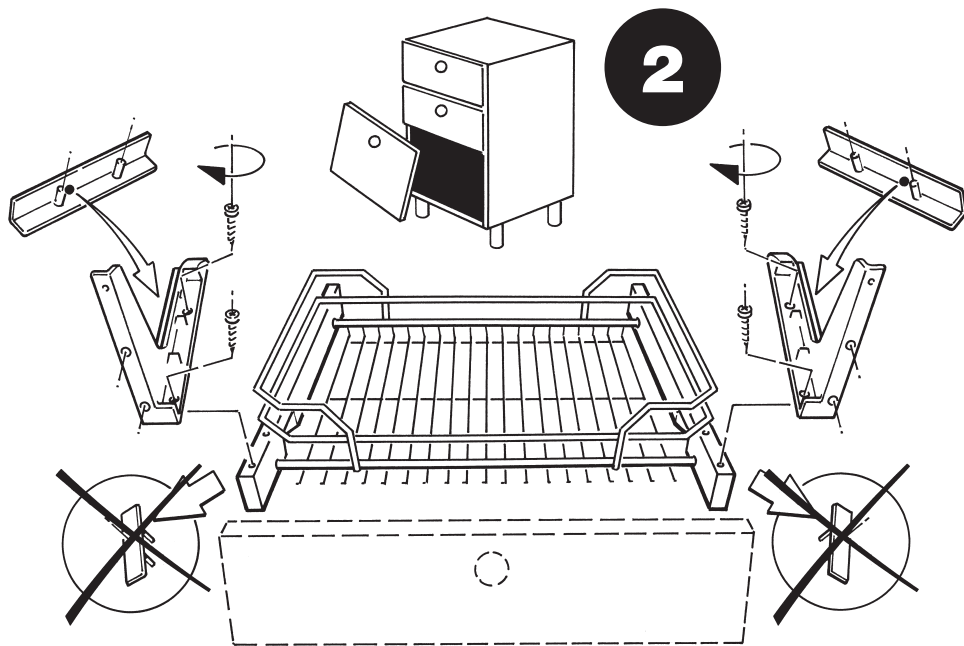
1. Fix Brackets to slides
2. Fix slides to bottom cabinet referring to template

FRONT DOOR WITH HINGES

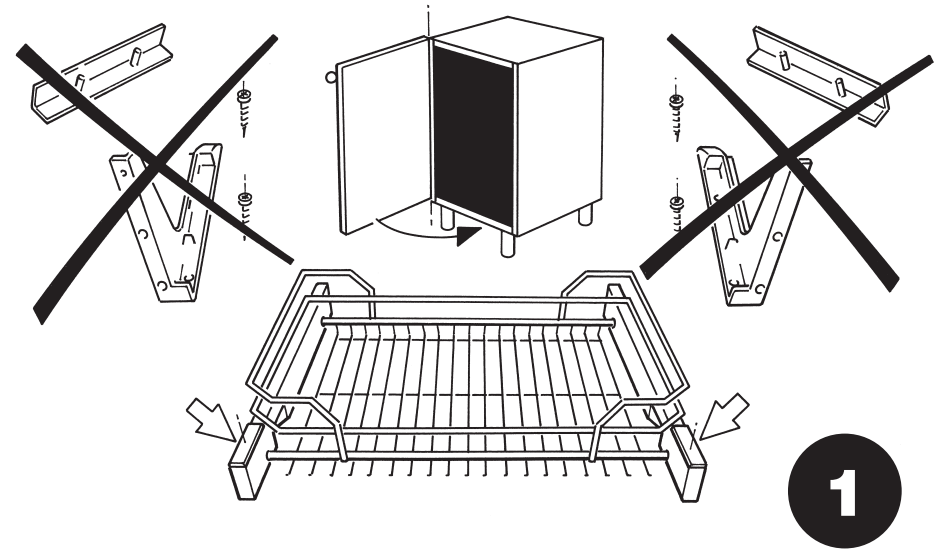


INSTALL RECTANGULAR COVER OVER PLASTIC SLIDE COVER

FRONT DOOR APPLIED TO PULL-OUT BASKET

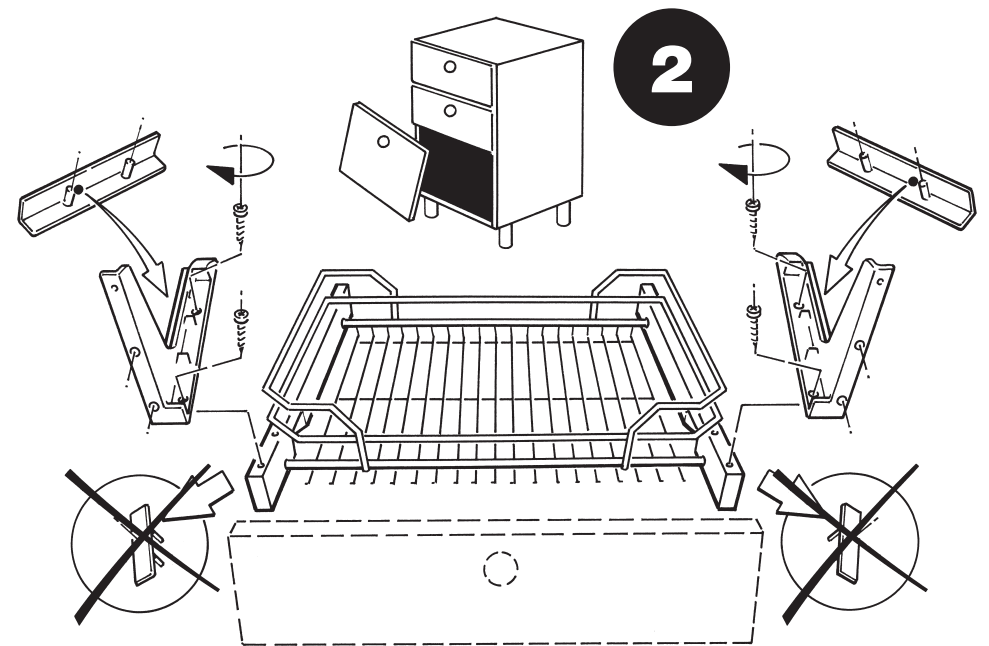


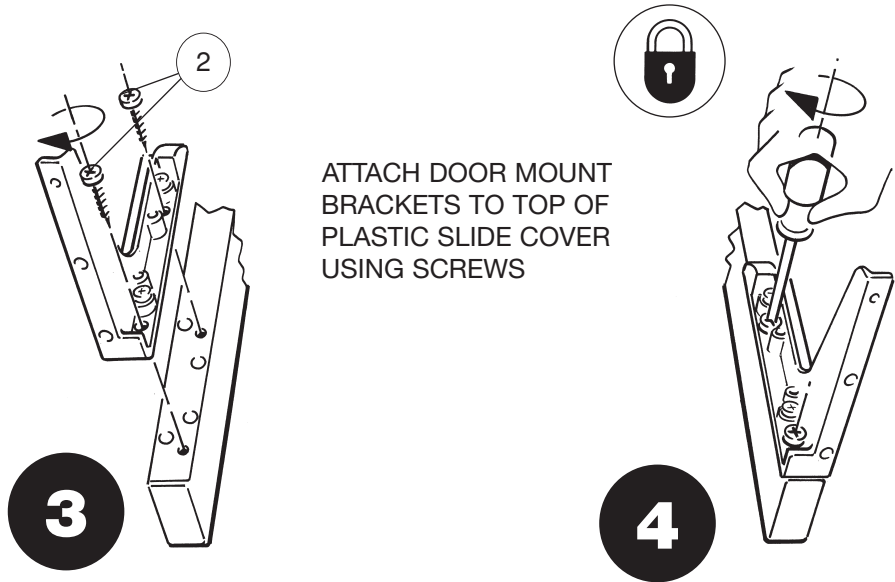
FRONT DOOR WITH HINGES



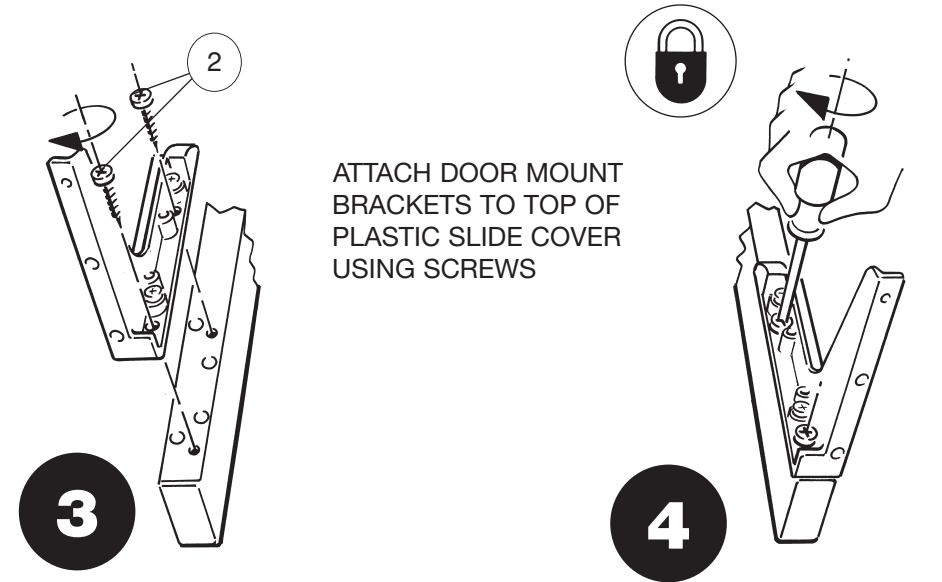
INSTALL RECTANGULAR COVER OVER PLASTIC SLIDE COVER

FRONT DOOR APPLIED TO PULL-OUT BASKET

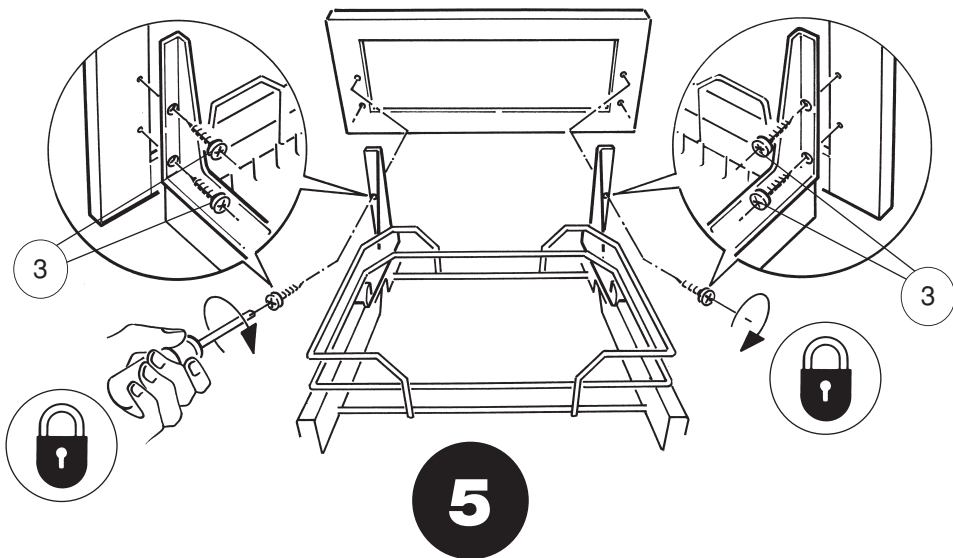




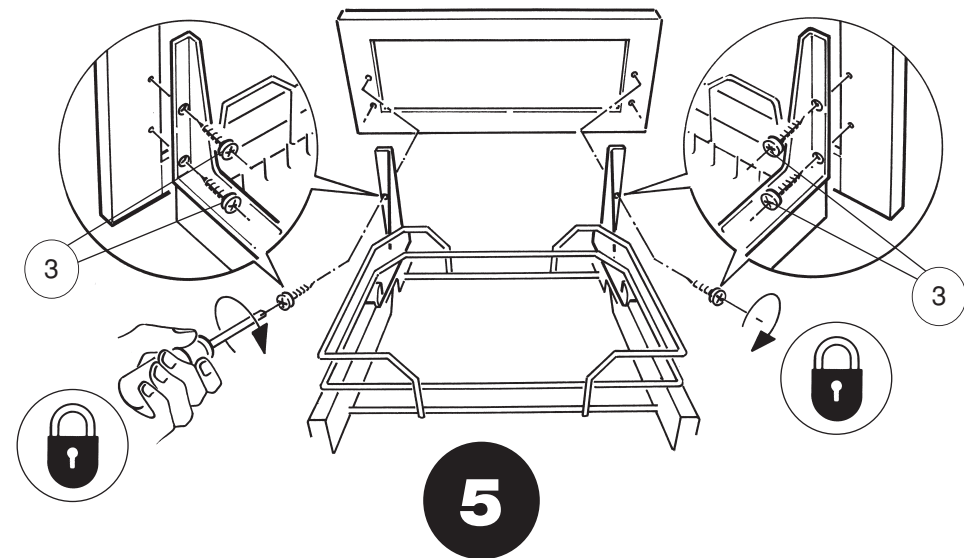
ATTACH DOOR MOUNT BRACKETS TO TOP OF PLASTIC SLIDE COVER USING SCREWS



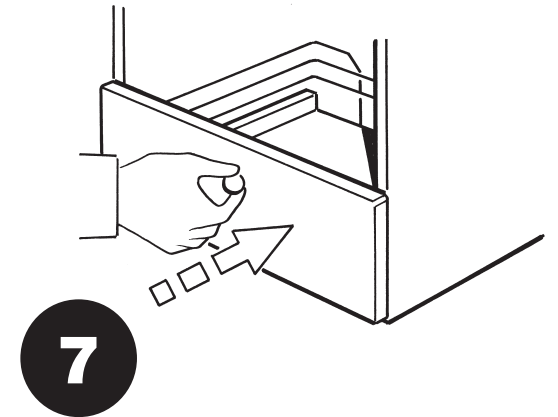
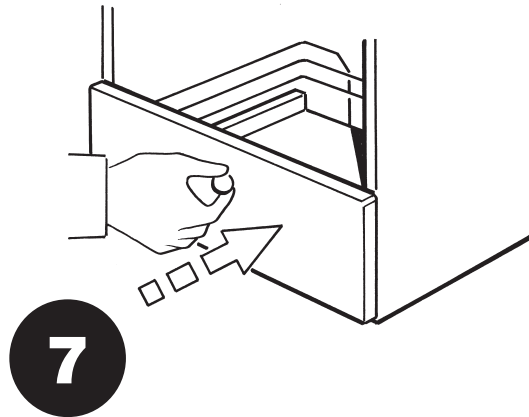
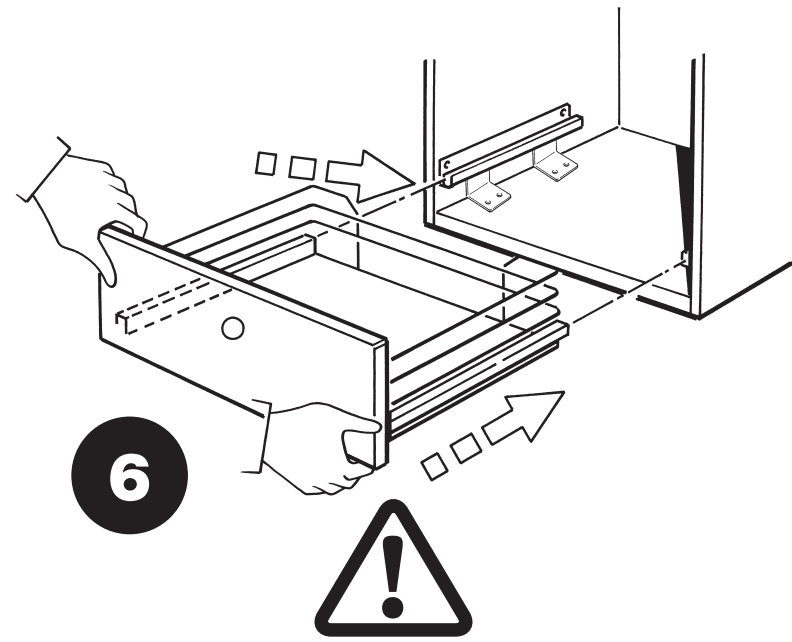
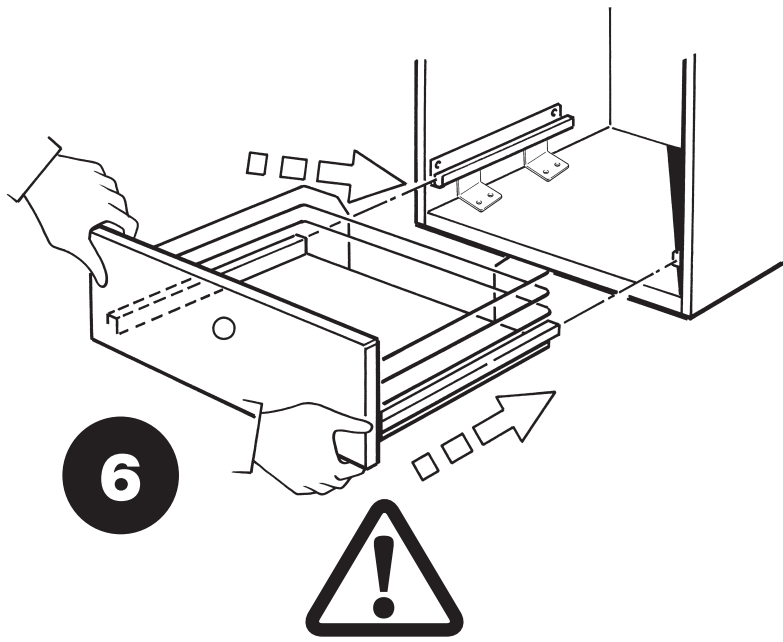
ATTACH DOOR MOUNT BRACKETS TO TOP OF PLASTIC SLIDE COVER USING SCREWS



ATTACH BASKET WITH BRACKETS TO CABINET DOOR. BE SURE UNIT IS CENTERED SIDE TO SIDE AND AT THE PROPER HEIGHT TO ALLOW PROPER OVERHANG OF DOOR AT TOP AND BOTTOM.



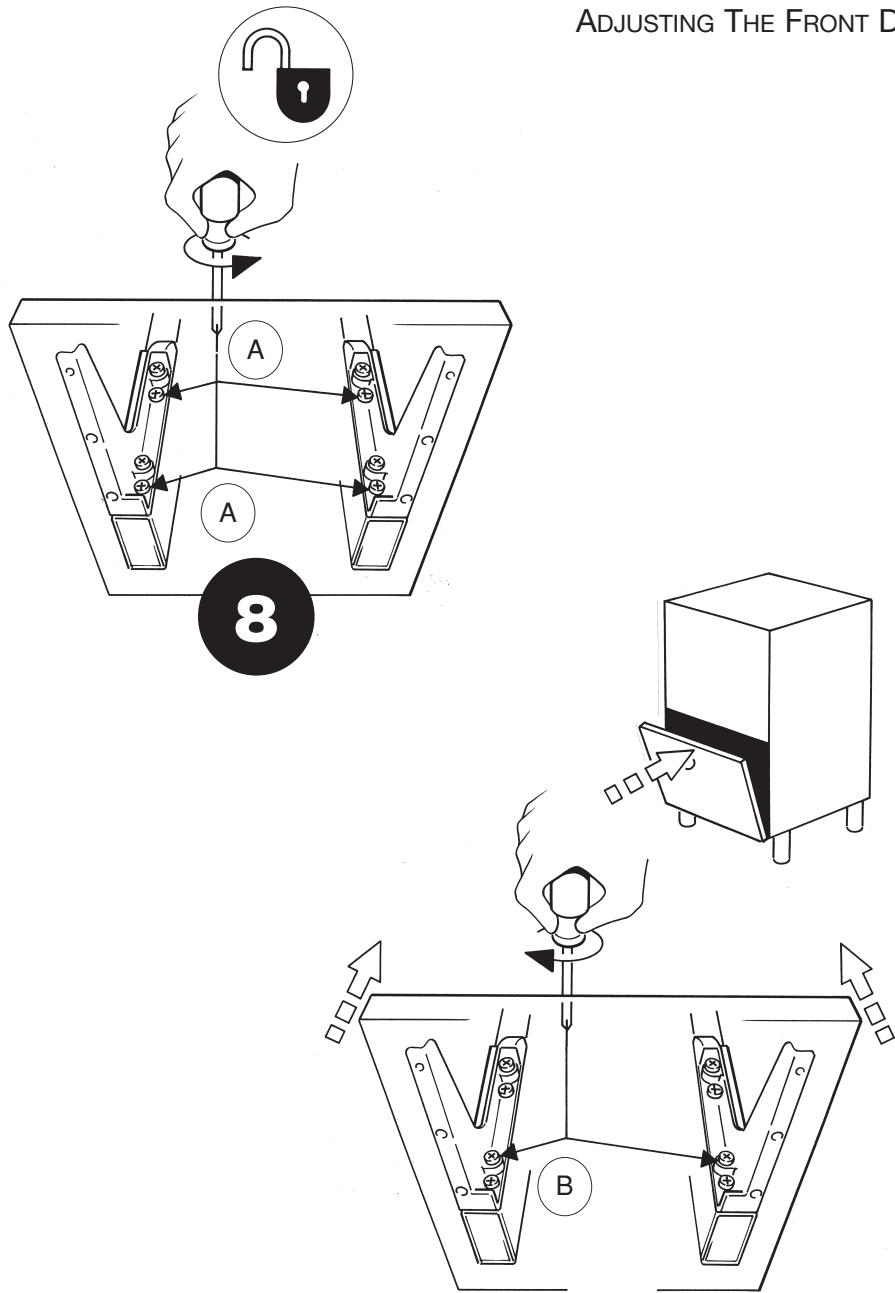
ATTACH BASKET WITH BRACKETS TO CABINET DOOR. BE SURE UNIT IS CENTERED SIDE TO SIDE AND AT THE PROPER HEIGHT TO ALLOW PROPER OVERHANG OF DOOR AT TOP AND BOTTOM.



WITH SLIDES IN CLOSED POSITION, SET UNIT ON SLIDES AND PUSH IN AS FAR AS IT WILL GO. THIS WILL ENGAGE LOCK ON TO SLIDES.

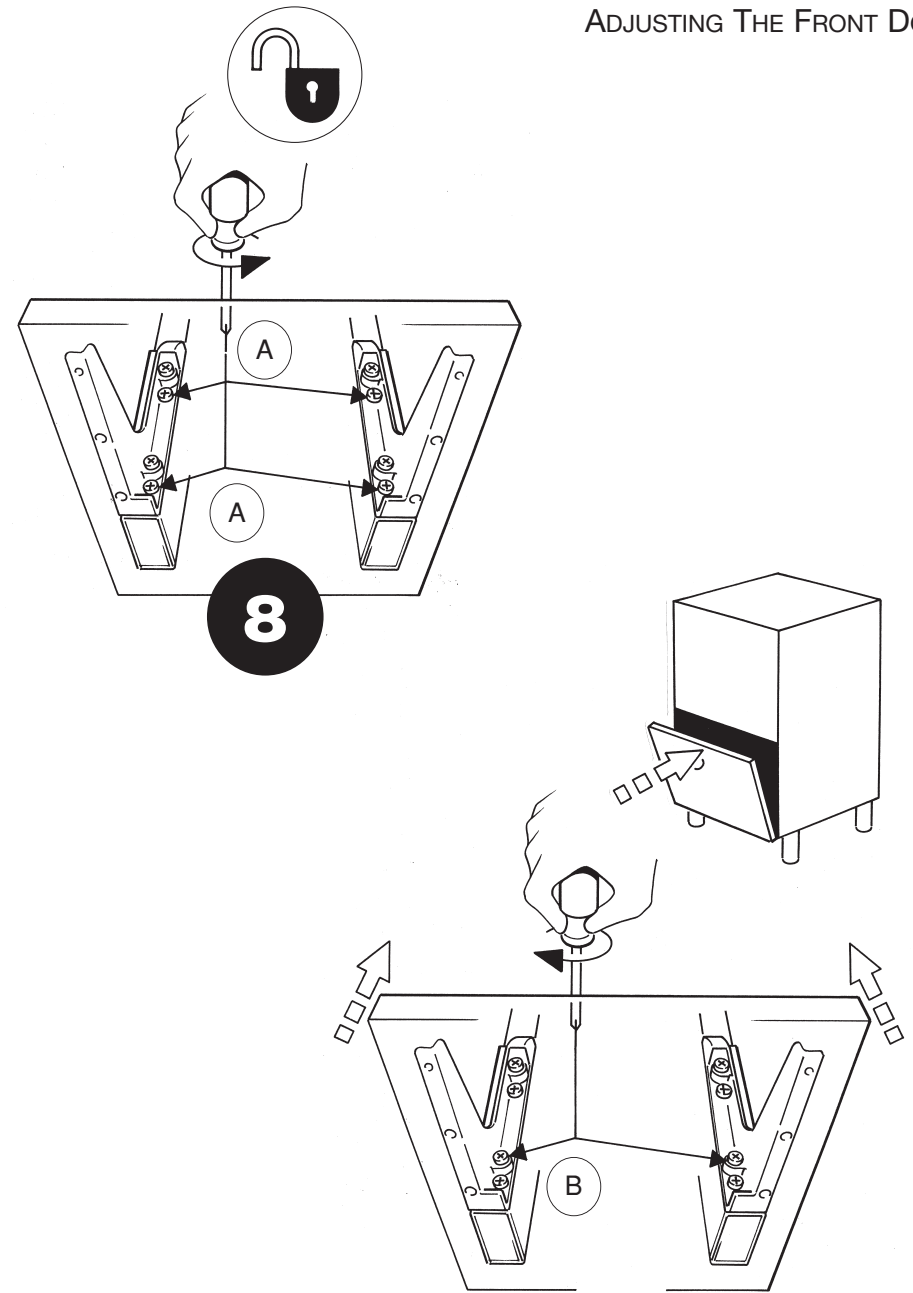
WITH SLIDES IN CLOSED POSITION, SET UNIT ON SLIDES AND PUSH IN AS FAR AS IT WILL GO. THIS WILL ENGAGE LOCK ON TO SLIDES.

ADJUSTING THE FRONT DOOR

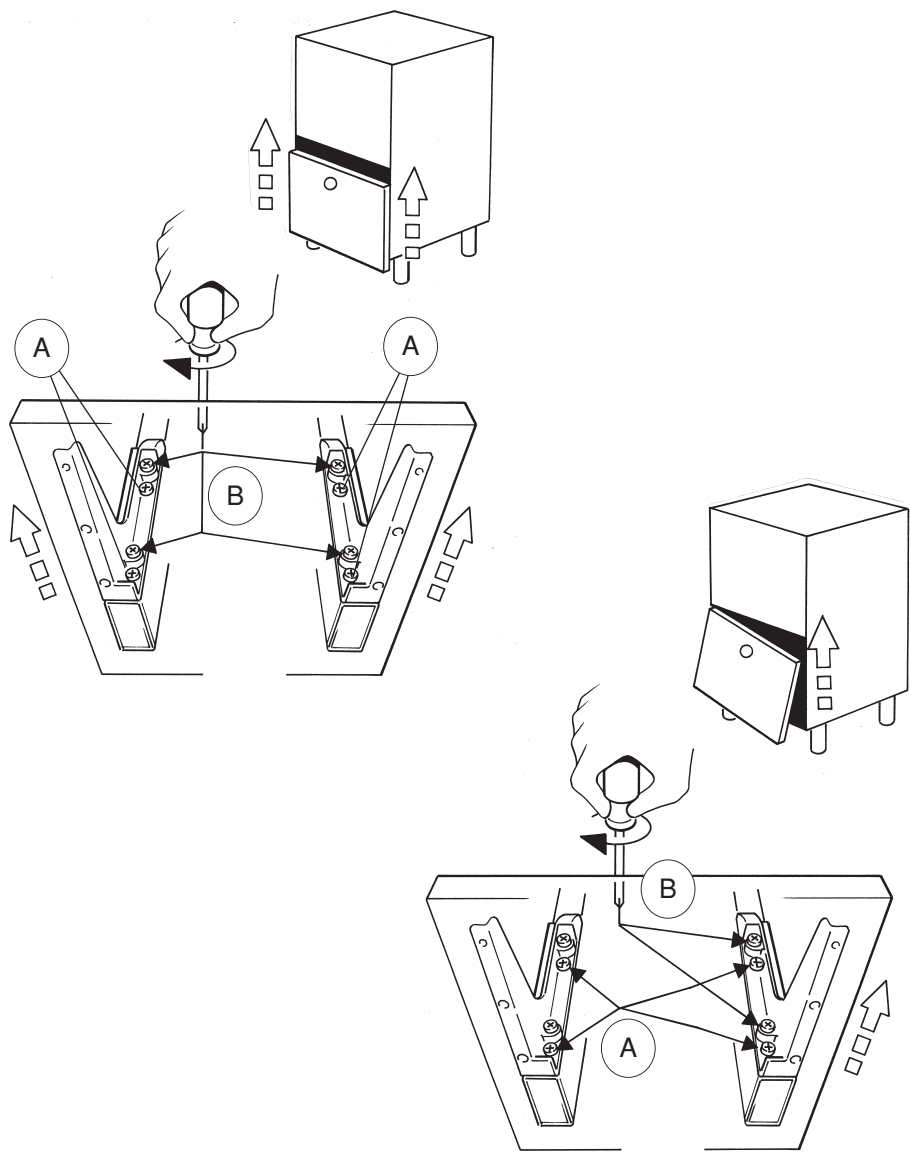


WHEREAS TO TILT TOP OF DOOR OUT,
LOOSEN ATTACHMENT SCREWS (A), TIGHTEN
BACK ADJUSTMENT SCREWS (B)

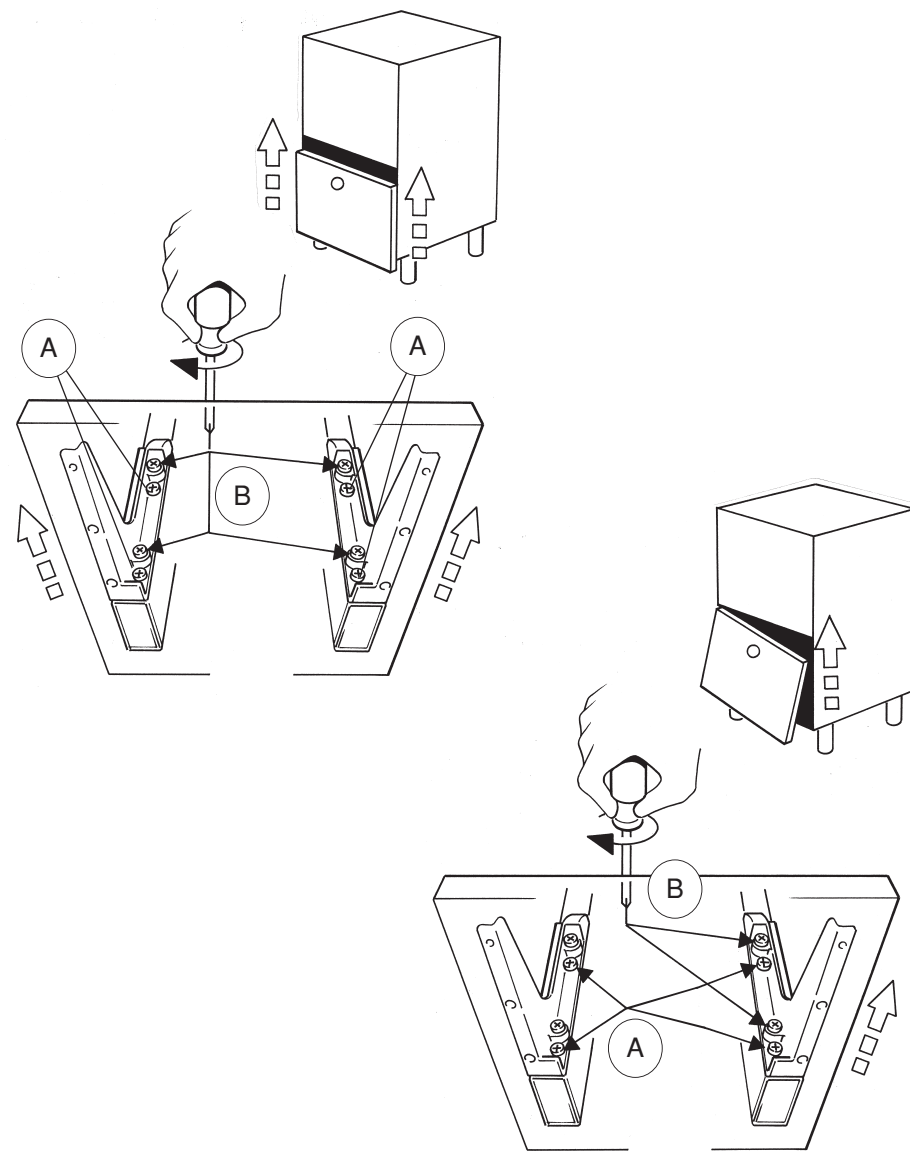
ADJUSTING THE FRONT DOOR



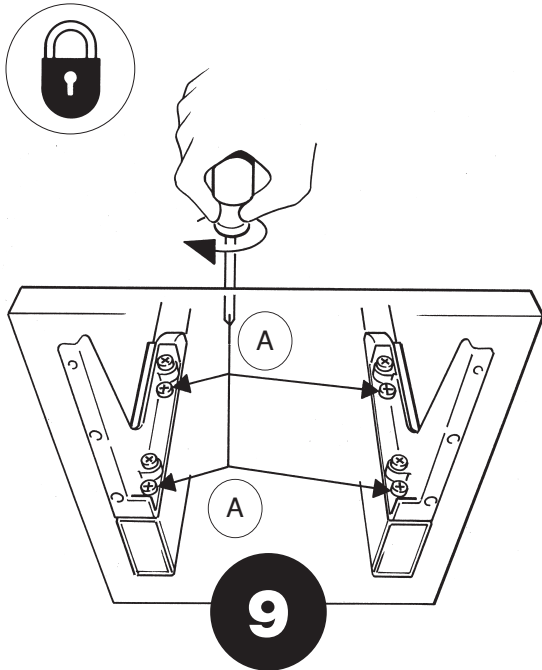
WHEREAS TO TILT TOP OF DOOR OUT,
LOOSEN ATTACHMENT SCREWS (A), TIGHTEN
BACK ADJUSTMENT SCREWS (B)



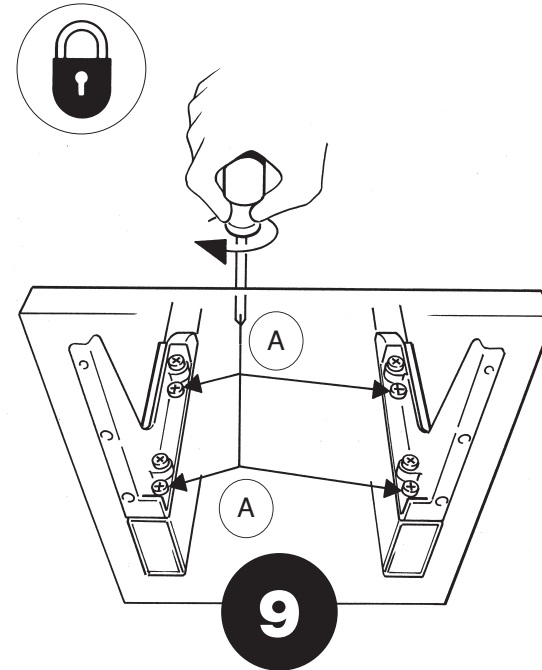
TO RAISE DOOR, LOOSEN ATTACHMENT SCREWS (A) AND TIGHTEN ADJUSTMENT SCREWS (B). TO LEVEL DOOR, RAISE LOW SIDE ONLY UNTIL DOOR IS LEVEL.



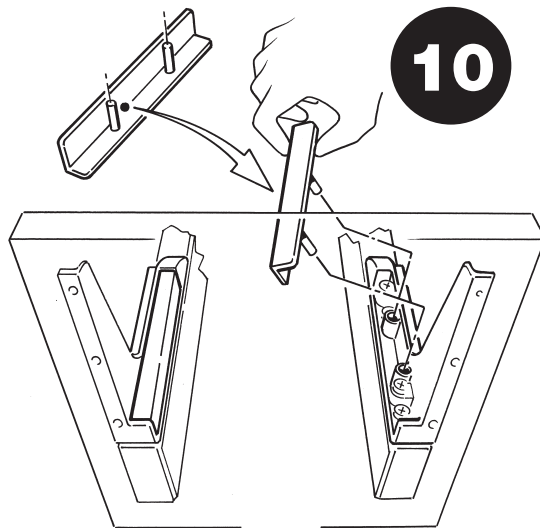
TO RAISE DOOR, LOOSEN ATTACHMENT SCREWS (A) AND TIGHTEN ADJUSTMENT SCREWS (B). TO LEVEL DOOR, RAISE LOW SIDE ONLY UNTIL DOOR IS LEVEL.



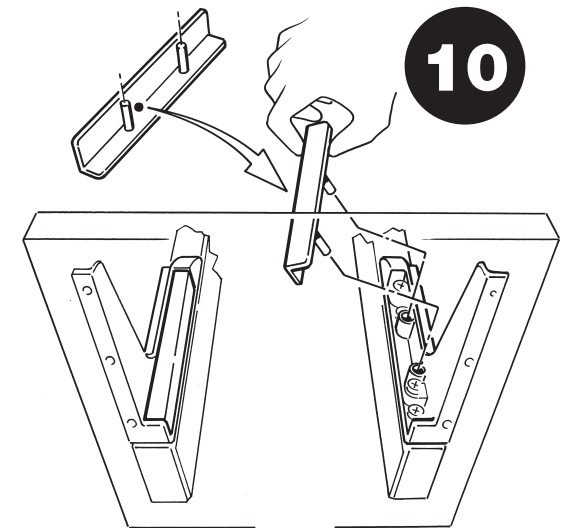
RE-TIGHTEN
ATTACHMENT SCREWS (A).



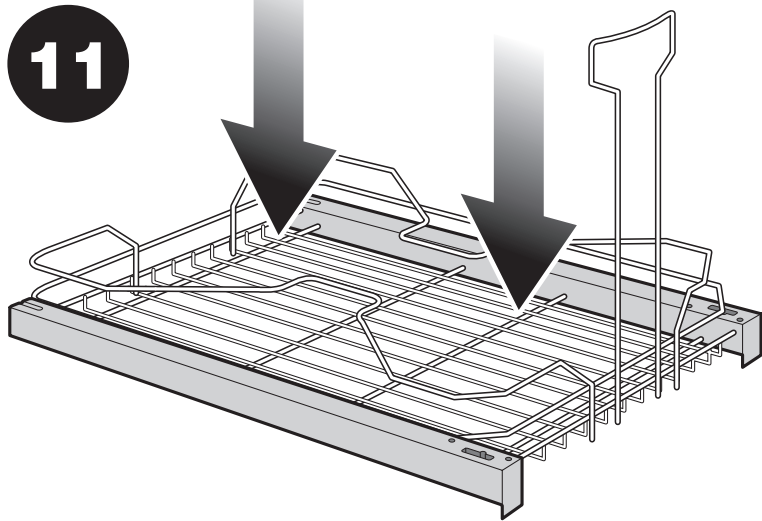
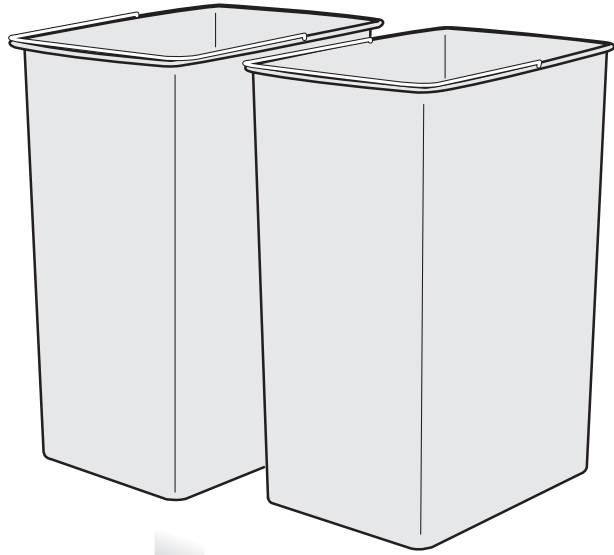
RE-TIGHTEN
ATTACHMENT SCREWS (A).



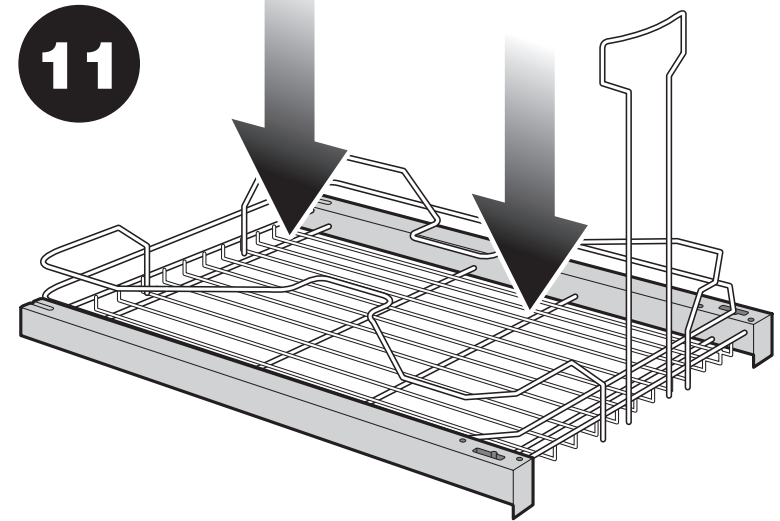
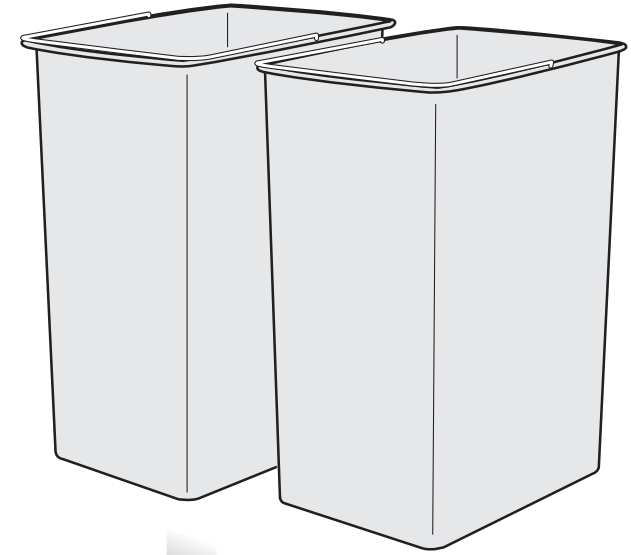
INSTALL SNAP ON COVER OVER ATTA-
CHMENT AND ADJUSTMENT SCREWS.



INSTALL SNAP ON COVER OVER ATTA-
CHMENT AND ADJUSTMENT SCREWS.

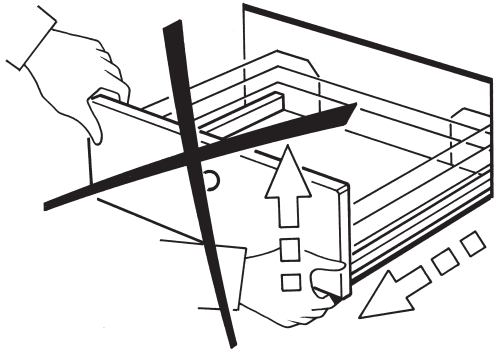


INSTALL THE PLASTIC CONTAINERS INTO THEIR APPROPRIATE PLACES



INSTALL THE PLASTIC CONTAINERS INTO THEIR APPROPRIATE PLACES

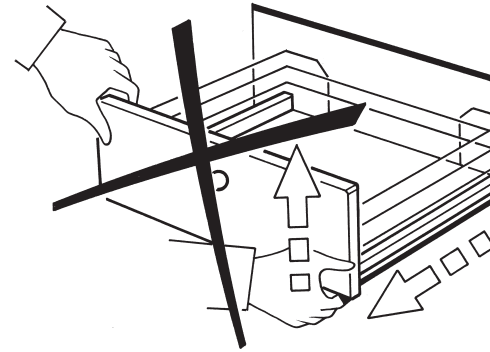
REMOVING THE UNIT



PULL UP THE UNIT NO MORE THAN 1/3 OF THE DEPTH (7" APPROX.)

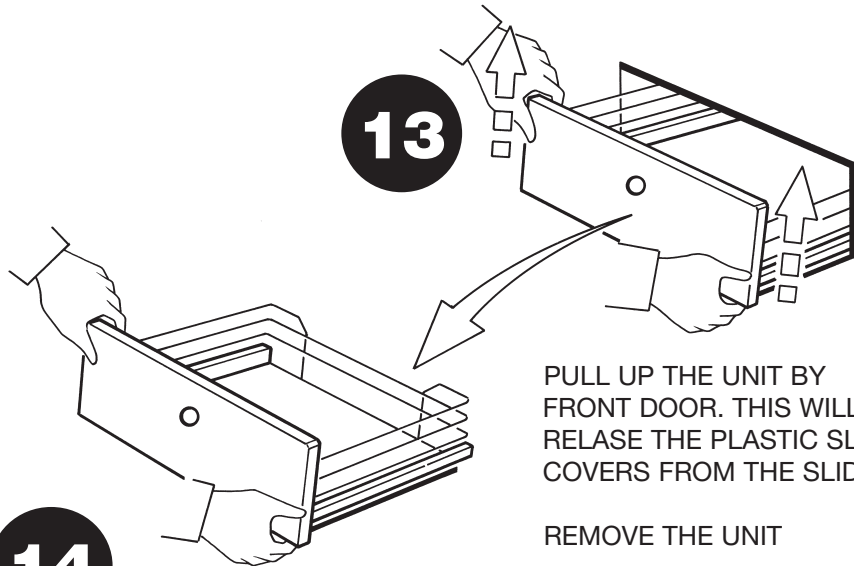
12

REMOVING THE UNIT



PULL UP THE UNIT NO MORE THAN 1/3 OF THE DEPTH (7" APPROX.)

12

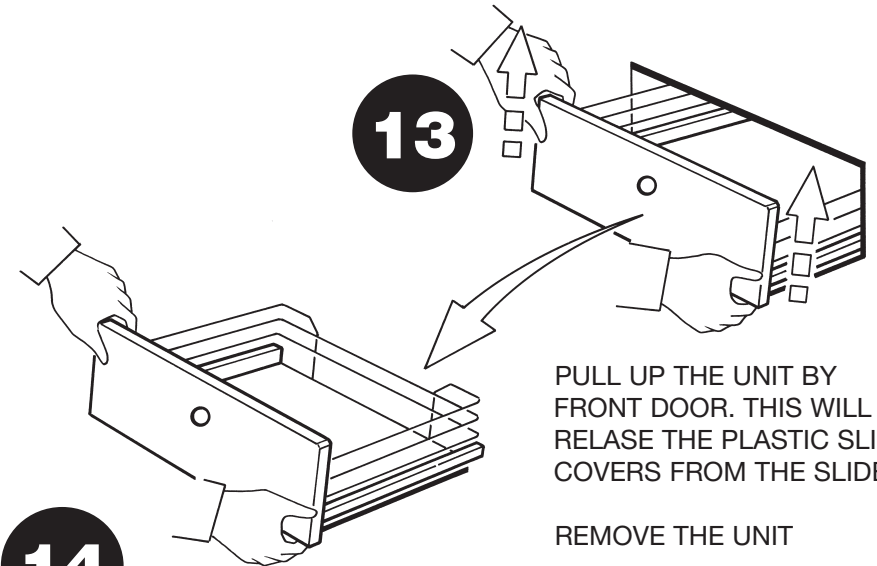


13

PULL UP THE UNIT BY FRONT DOOR. THIS WILL RELEASE THE PLASTIC SLIDE COVERS FROM THE SLIDES

REMOVE THE UNIT

14



13

PULL UP THE UNIT BY FRONT DOOR. THIS WILL RELEASE THE PLASTIC SLIDE COVERS FROM THE SLIDES

REMOVE THE UNIT

14



If you have any questions or would like additional information on the rest of our products, please contact our Customer Service Specialists between 8 Am and 5Pm Eastern Time at:

1-800-626-1126



If you have any questions or would like additional information on the rest of our products, please contact our Customer Service Specialists between 8 Am and 5Pm Eastern Time at:

1-800-626-1126