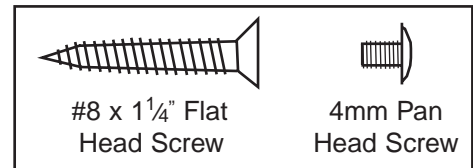


Installation Instructions for:

548 Series Pull-Out Wire Baskets

Tools required: #2 Phillips Screwdriver, Level, and Pencil



Step 1 - Frame or Frameless Cabinet Installation

Position basket in cabinet against left or right side wall flush with front cabinet opening and mark upper and lower slide screw locations on cabinet wall with a pencil. Make sure to allow enough clearance beneath basket to allow for smooth travel when sliding unit out of cabinet. (Illustration 1)

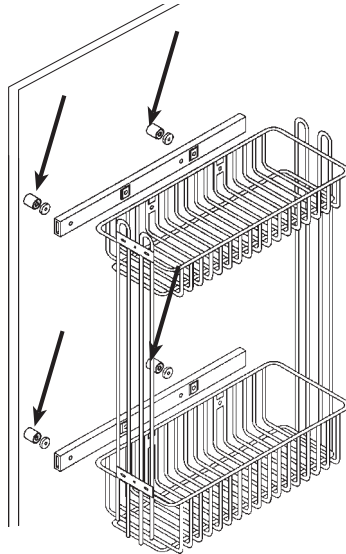


Illustration 1

Step 2 - Attaching spacers and slides to cabinet

Attached slides to cabinet wall using four (4) provided #8 x 1 1/4" flat head screws. (Illustration 2)
Place screw through slide and spacer assembly then screw into cabinet wall.

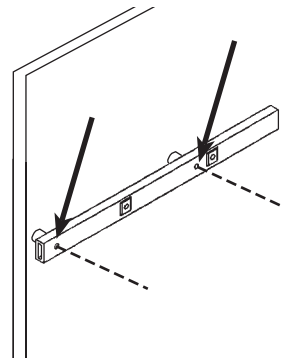


Illustration 2

Step 3 - Attaching basket to slides

Attach basket to slides using the four (4) provided 4mm pan head screws. Attach screw through basket and into slide. (Illustration 3)
Your installation is now complete.

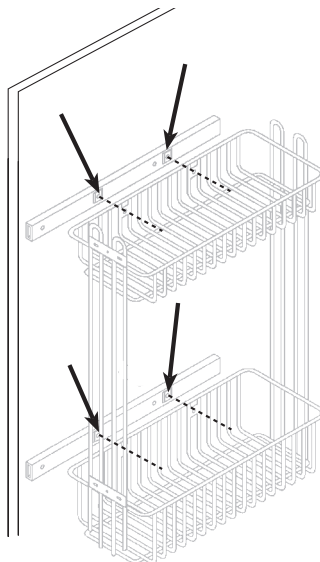
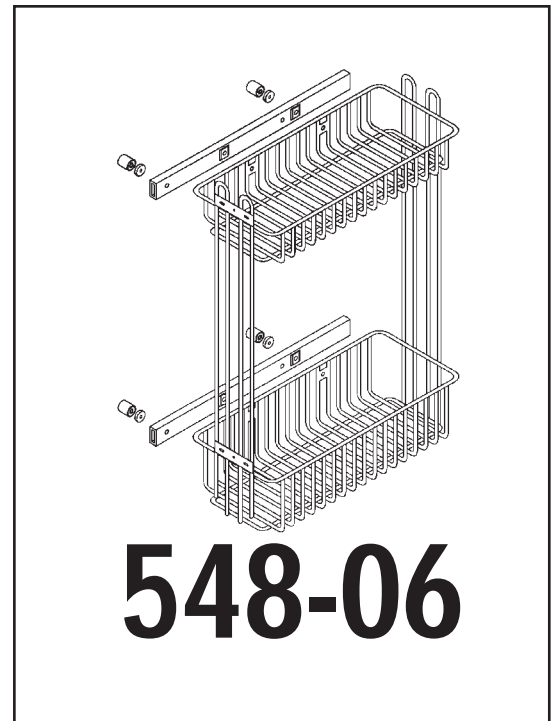


Illustration 3



NOTE: For Door-Mount Installation

Follow above steps 1 thru 3. Use four (4) additional wood screws (Not Supplied) to attach door front to wire basket (Not recommended for doors larger than 9" wide). If door mounting in frameless cabinet without hinges installed, eliminate spacers and attach slides directly to cabinet wall with the four (4) provided #8 x 5/8" flat head screws.



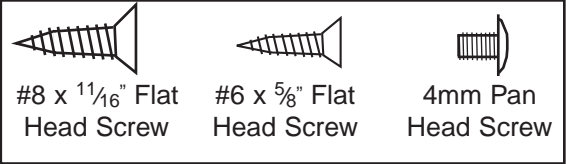
2409 Plantside Dr. • Jeffersontown, KY 40299
800-626-1126 • 502-499-5835 • FAX: 502-491-2215

Installation Instructions for:

548 Series

Pull-Out Wire Baskets

Tools required: #2 Phillips Screwdriver, Level, and Pencil



Step 1 - Frame or Frameless Cabinet Installation

Position basket level in cabinet against left or right side wall flush with front cabinet opening and mark upper and lower slide screw locations on cabinet wall with a pencil. Make sure to allow enough clearance beneath basket to allow for smooth travel when sliding unit out of cabinet. (Illustration 1)

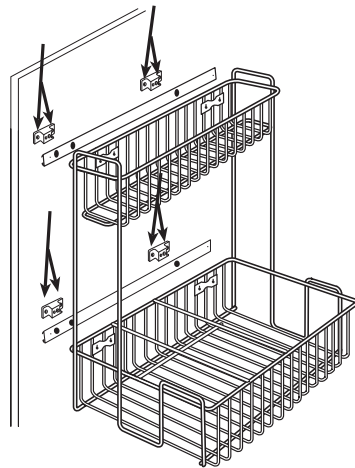


Illustration 1

Step 3 - Attaching basket to slides

Attach basket to slides using the four (4) provided 4mm pan head screws. Attach screws to slide allowing $\frac{1}{8}$ " clearance so basket can hang over screws. (Illustration 3)

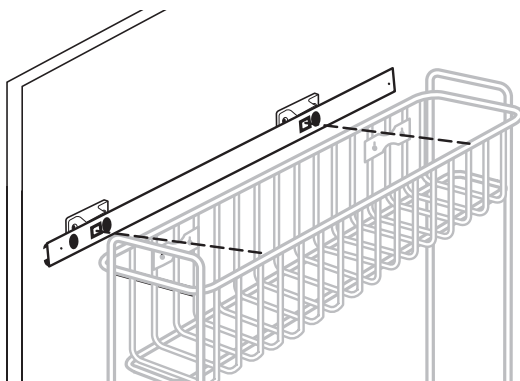


Illustration 3

Step 2 - Attaching spacers and slides to cabinet

Attached spacers to cabinet wall at the locations you marked by using the eight (8) provided #8 x $\frac{1}{16}$ " flat head screws. (Illustration 2)

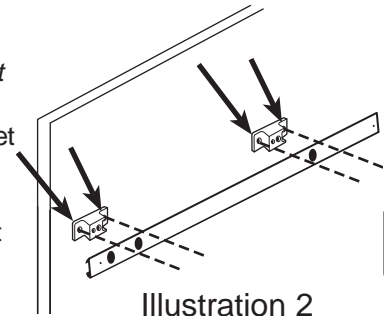


Illustration 2

Secure slides to spacers by screwing the four (4) provided #6 x $\frac{5}{8}$ " flat head screws through the slide and into the spacers. (Illustration 2.1)

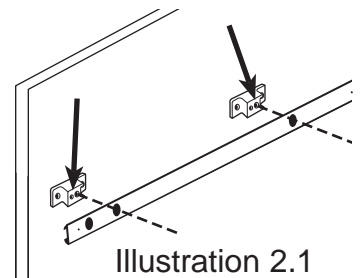
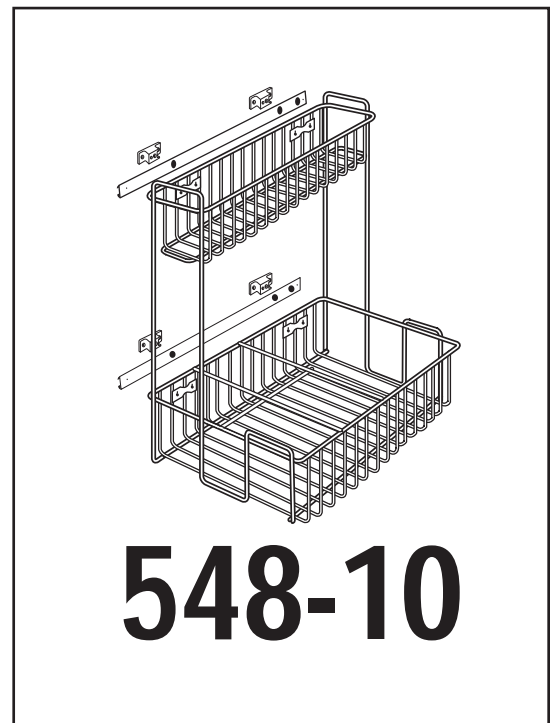


Illustration 2.1

Step 4

Hang basket over four support screws. Tighten screws so that basket is snug to slides. Your installation is now complete!



548-10

