

REV-A-SHELF®

Cabinet
Conveniences®
Brand Storage System

2409 Plantside Drive • Jeffersontown, Kentucky 40299 • 1-800-626-1126 • Fax: 502-491-2215 in KY

20 QUART PULL-OUT WASTE BIN

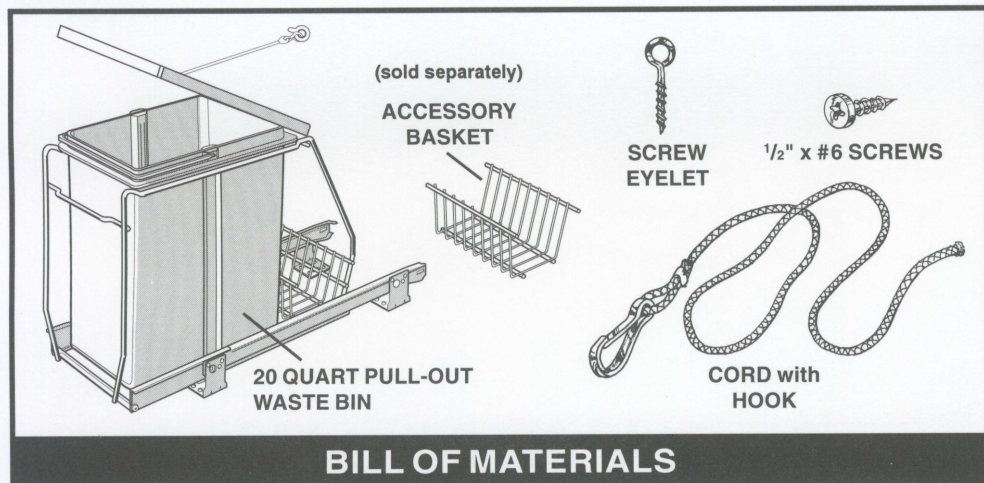
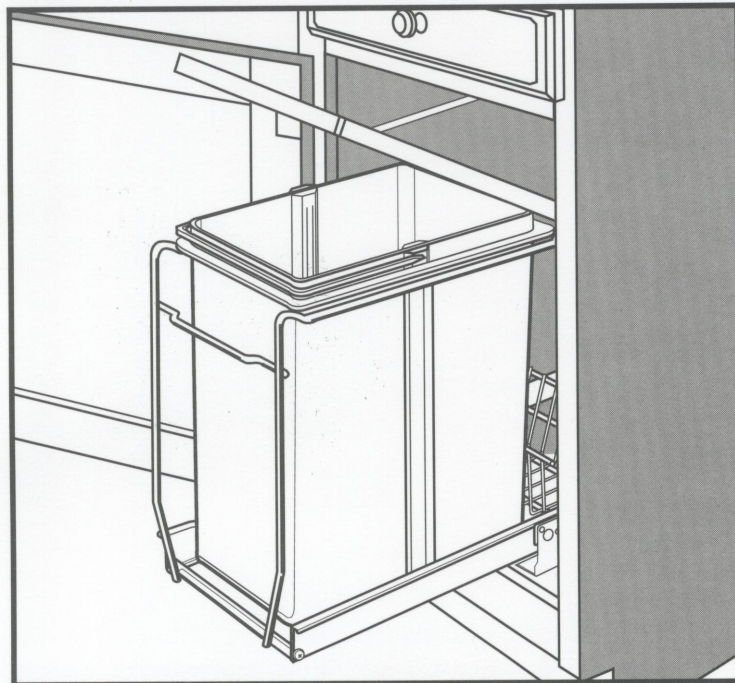
INSTRUCTIONS FOR INSTALLATION

The **20 QUART PULL-OUT WASTE BIN** will work perfectly under most kitchen & bathroom sinks, base cabinets and various other convenient applications. High Quality Bottom Mount Drawer Slide support system allows for front-to-back & side-to-side adjustment. Waste Bin is removable for easy cleaning and lid raises automatically when unit is pulled out.

CUSTOMER SERVICE: Toll Free Consumer Help Line for your product questions during the weekday hours:

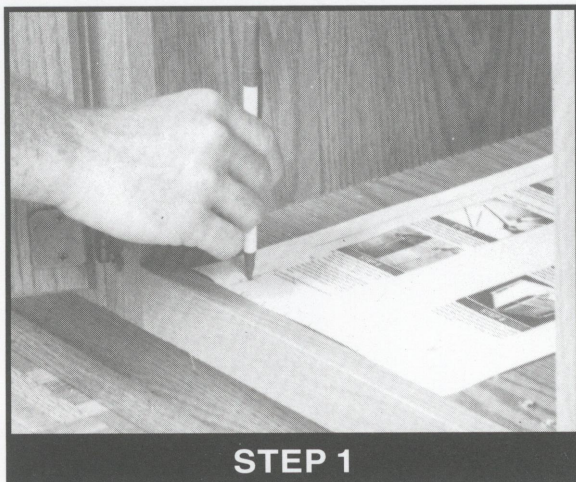
800-626-1126

TOOLS REQUIRED: Soft Lead Pencil (For marking screw locations), Drill with a $\frac{3}{32}$ " Diameter Drill Bit and a #2 Phillips Screwdriver.

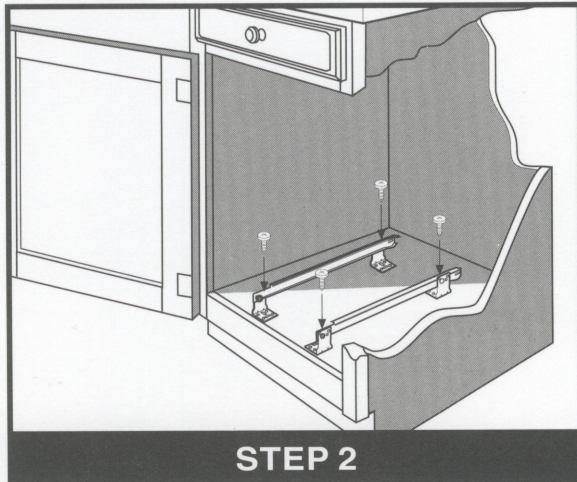


Remove Template from carton and position in cabinet opening to ensure unit will fit. If Template fits in cabinet opening with front edge of Template aligned with front of cabinet, this unit will function in selected cabinet, proceed with assembly instructions.

NOTE: Refer to "Bill of Materials" Chart & insure contents of carton matches the unit you have.



Position the template in the cabinet opening aligning the front edge of the cabinet and front edge of the template, mark (4) hole locations. **NOTE:** Be sure to check any protruding hinges or other obstacles that could interfere with basket position.



Position and secure left slide guide vertical slots on left side of cabinet. Position and secure right slide guide using horizontal slots.

