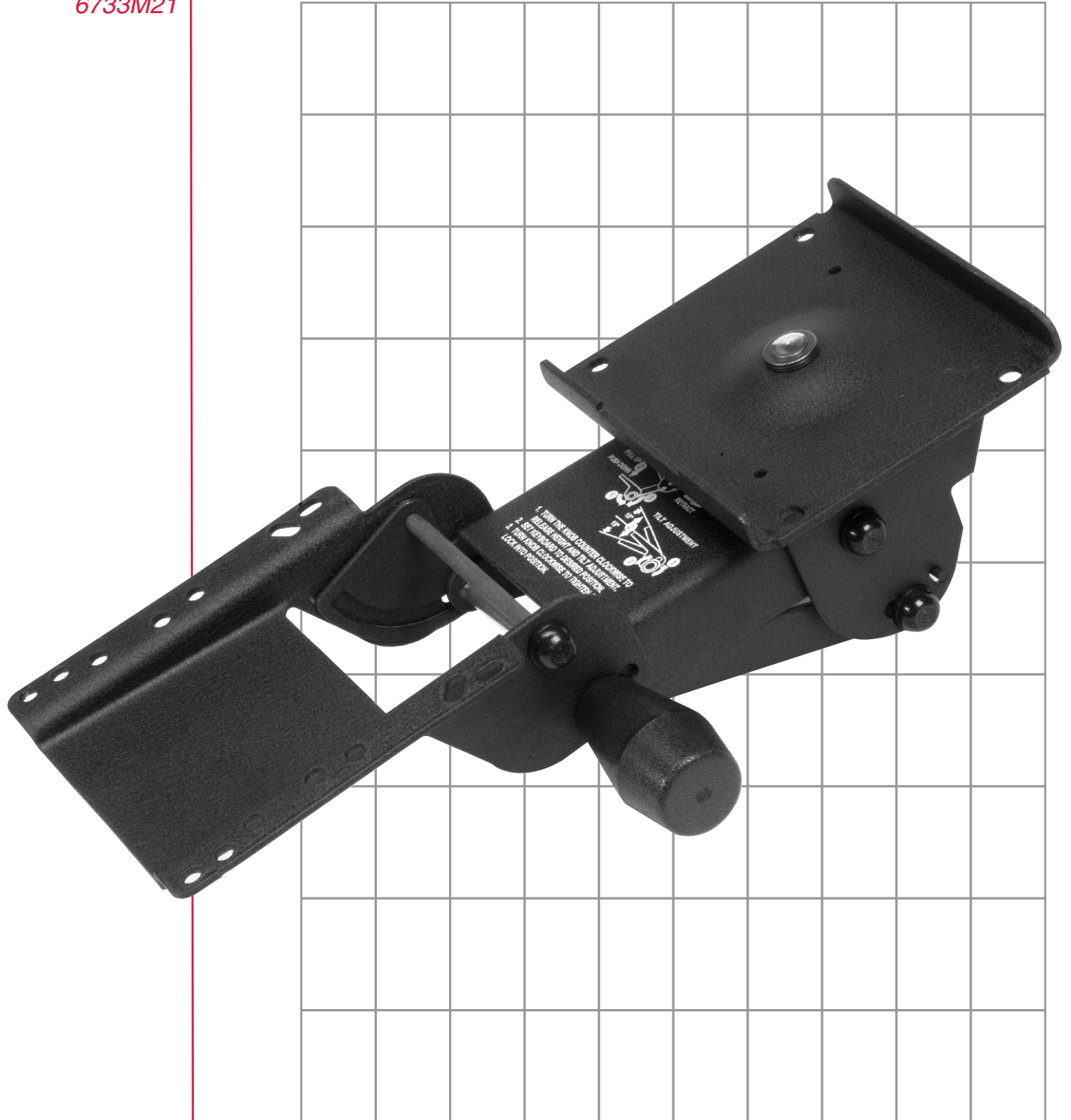


Economy Arm

The 6733 Series Economy Arm was designed specifically for occasional users and for educational applications where a no-frills, solid keyboard platform is desired. Fully adjustable, the 6733 operates with a single control knob that simultaneously adjusts both height and tilt. The 6733 stores under the work surface on a ball bearing track.

Series Models

6733M16
6733M21



Keyboard Arms

Keyboard Arms Specs

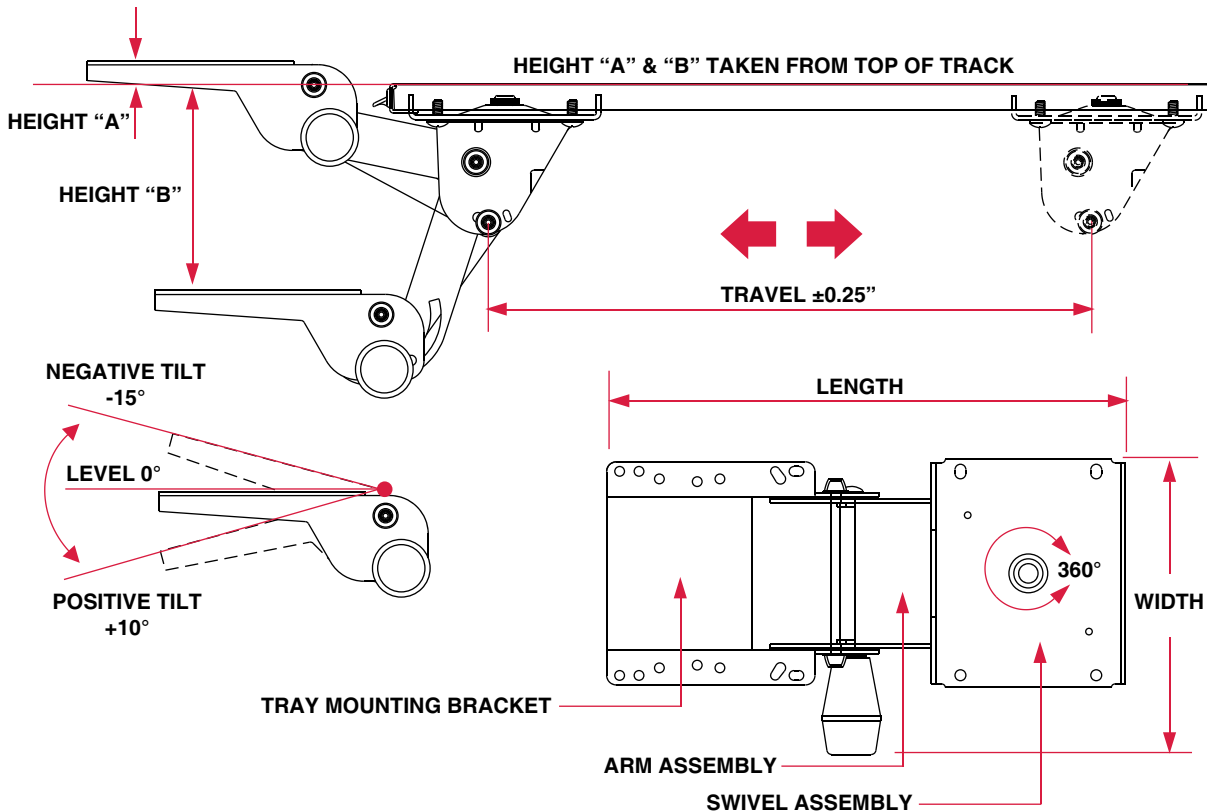
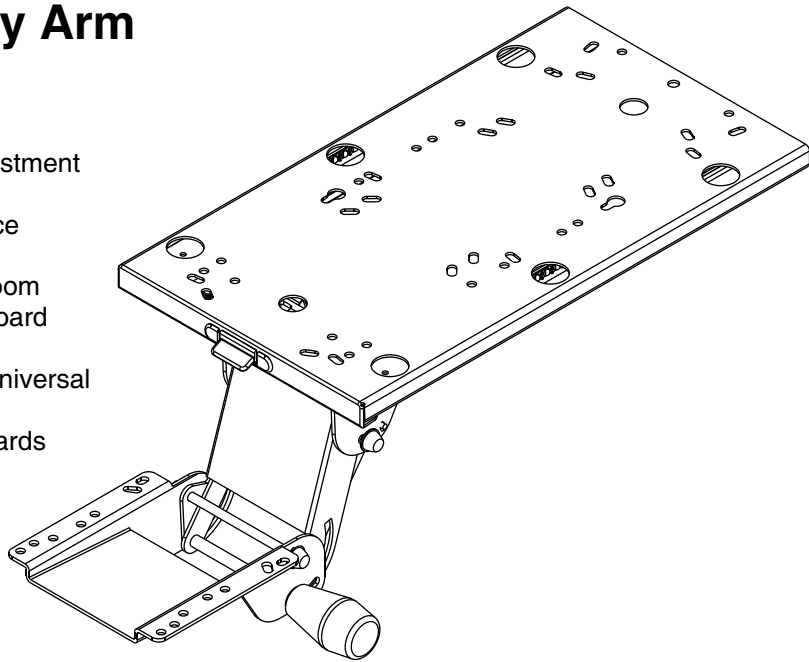
6733 Series Economy Arm

Features & Benefits

- Stable, durable design
- Soft-touch knob for simultaneous adjustment of both height and tilt
- Spring assisted to help counter balance keyboard and tray weight
- Low profile design for maximum leg room
- 360° swivel allows user to move keyboard freely from side to side
- Stores on a ball bearing track with a universal mounting hole pattern
- Meets or exceeds ANSI/BIFMA standards

Applications

- Occasional to moderate user
- SOHO (Small Office Home Office)



MODEL	(A) HEIGHT	(B)	WIDTH	LENGTH	TRAVEL	STORAGE	FINISH	WEIGHT
6733M16	1.2"	5.0"	7.5"	14.5"	10.8"	16.75" Ball bearing	Black wrinkle paint	13 lbs
6733M21	1.2"	5.0"	7.5"	14.5"	15.8"	21.75" Ball bearing	Black wrinkle paint	15 lbs

NOTE:

1. Weight = packaged shipping weight per unit.
2. Specifications are subject to change without notice.