

BLUMOTION for doors (COMPACT)

Application

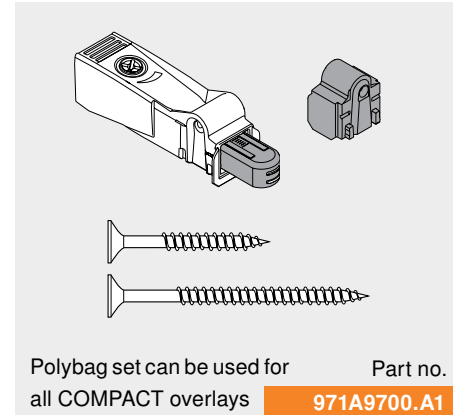


Description

- Offers the same quality of motion as Blum drawer systems with BLUMOTION
- Adjustable for various door sizes and weights
- Installs on the hinge side of the cabinet
- Nickel plated zinc die cast construction
- Designed for use with Blum COMPACT hinges

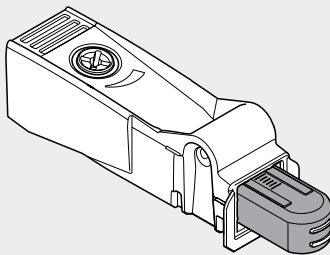


BLUMOTION polybag set



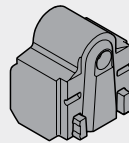
Individual parts

BLUMOTION mechanism



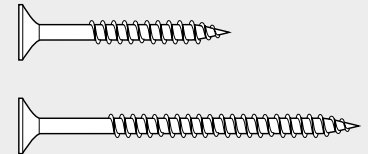
Part no.
971A9700

Partial overlay spacer



Part no.
971A9709

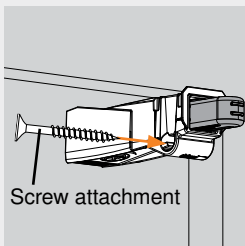
Wood screws



Part no.
#8 x 1-1/4" **8114Z**
#8 x 2" **8200Z**

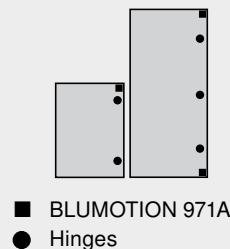
Specifications

Mounting



BLUMOTION for doors mounts anywhere on the hinge-side style of the cabinet using a 1-1/4" (or 2" screw when using spacer).

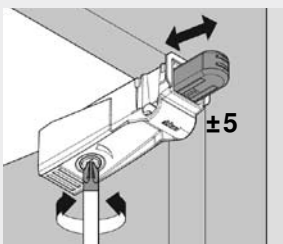
Number per door



One BLUMOTION for doors for COMPACT is enough for most applications. For larger or heavier doors two or more may be required.

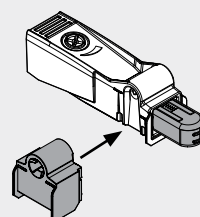
***Trial application recommended.**

Adjustment



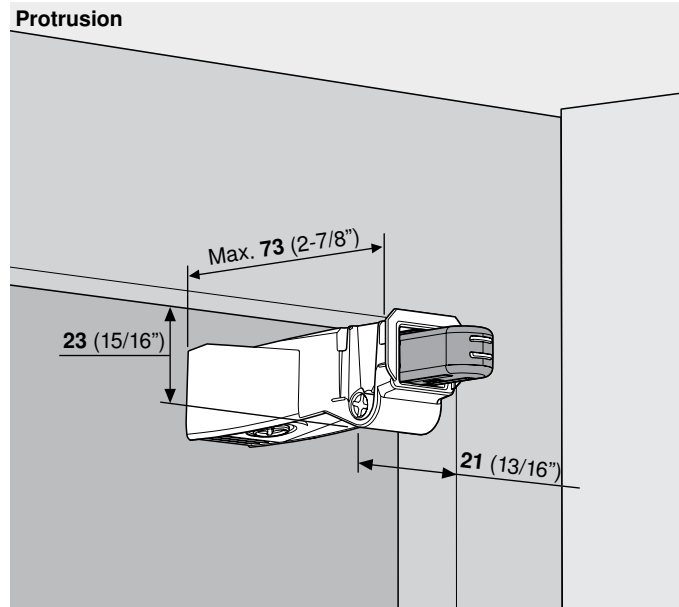
Use a Phillips or POZI screw driver to adjust the contact point in or out 5 mm. Adjust out for larger, heavier doors or in for smaller, lighter doors.

Attachment of partial overlay spacer



The partial overlay spacer snaps on to the side of the BLUMOTION for easier mounting.

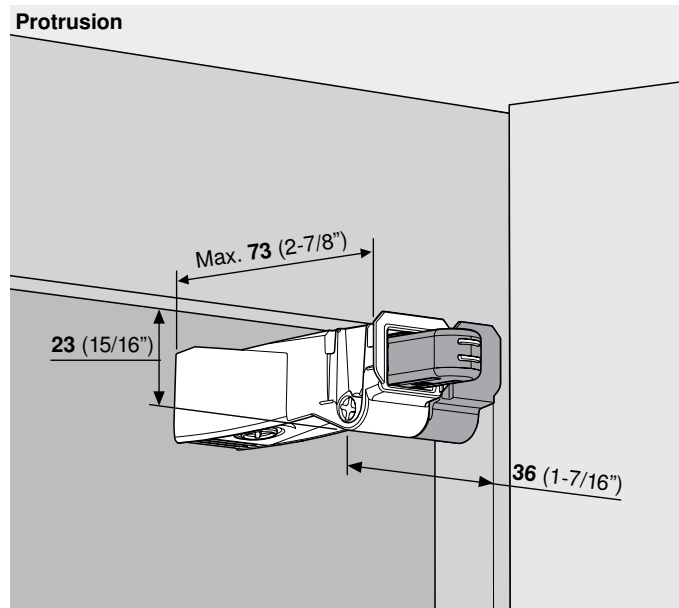
Full overlay application (1" or greater overlay)



Part no.

BLUMOTION mechanism	971A9700
#8 x 1-1/4" wood screw	8114Z

Partial overlay application (less than 1" overlay)



Part no.

BLUMOTION mechanism	971A9700
Partial overlay spacer	971A9709
#8 x 2" wood screw	8200Z