

## Spice Tray Insert 4SDI-18, 4SDI-24



**STEP 1:**  
Using a table saw cut width of spice tray to fit inside of drawer.

**STEP 2:**  
Cut back of spice drawer off to fit from inside front to rear of the drawer.

**STEP 3:**  
Place inside drawer.

**REV-A-SHELF**<sup>®</sup>  
*Wood Classics* <sup>TM</sup>

# Installation Instructions

We hope you enjoy your new wood accessories from Rev-A-Shelf. We pride ourselves in providing the best quality, service and innovation in the industry. If you have any questions about our products, feel free to call our Customer Service Specialist at 800-626-1126



2409 Plantside Drive  
Jeffersontown, KY 40299  
502-499-5835 • FAX: 502-491-2215  
www.rev-a-shelf.com

I-WOOD 8-02

## DM Spice Rack 4SR-15, 4SR-18, 4SR-21



**STEP 1:**  
Place rack on door, allow for hinge and faceframe clearance. Mark hole locations.

**STEP 2:**  
Attach with screws. (Be sure to check thickness of door panel to make sure screws are not too long and may come through front of door. If screws are too long, purchase shorter screws.)

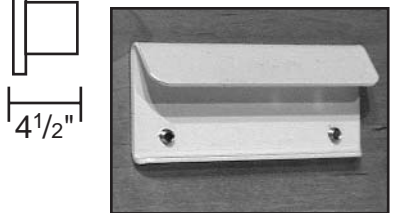
**Note:**  
4SR requires 4 1/2" of clearance behind door. Existing shelves must be modified to allow for these bins.

## Adjustable Spice Rack 4ASR-15, 4ASR-18, 4ASR-21



**STEP 1:**  
See accompanying insert.

**Note:**  
4ASR requires 4 1/2" of clearance behind door. Existing shelves must be modified to allow for these bins.



Hook that holds the trays to the standards. Two on each tray already attached to the back.

## DM Cutting Board 4DMCB-15 4DMCB-18



**STEP 1:**  
Place rack on door, allow for hinge and faceframe clearance. Mark hole locations.

**STEP 2:**  
Attach with screws. (Be sure to check thickness of door panel to make sure screws all not too long and come through front of door. If screws are too long, purchase shorter screws.)

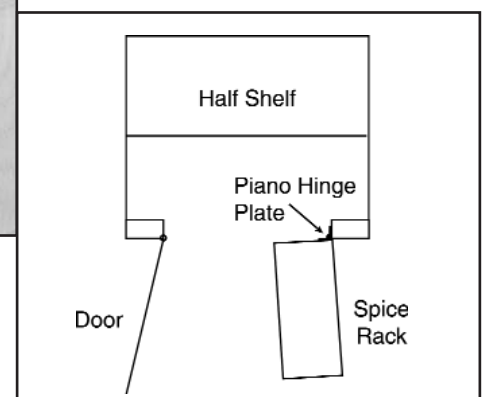
## Pivot-Out Spice Rack 4PSR-18, 4PSR-21



**STEP 1:**  
Remove or adjust any existing interior shelving

**STEP 2:**  
Attach hinge to spice rack.

**STEP 3:**  
Attach hinge to cabinet frame opposite side from door hinges.



**Note:**  
Includes magnetic latch. Install if needed.

## Drawer Cutting Board/Knife Rest 4KCB-18



**STEP 1:**  
See accompanying insert. Uses **3834 Full-Extension Accuride Slides**.



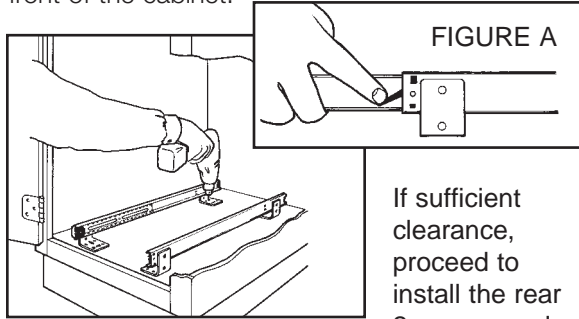
## Bottom Mount Waste Containers 4WC-15DM1 and 4WC-18DM2



Your Wood Classic Series Accessory has been shipped fully assembled for ease in installation.

First remove the container(s) from the wood assembly, place the wood frame inside your designated space for installation. In the closed position, mark the four screw locations.

If sufficient clearance, install the front 2 screws, making sure the wood frame is square with the front of the cabinet.



If sufficient clearance, proceed to install the rear 2 screws and

4WC-15DM-1



4WC-18DM-2

refer to enclosed RV Series Door Mount Instruction Sheet for door mounting.

If sufficient clearance is not available, pull the framework completely out and on the outside of each slide, you will find a black trigger (figure A), which releases the slides and disassembles the framework from the floor mounted slides. Remove the wood frame, line up rear screw locations with your pencil marks and install the rear screws. Then re-assemble the wood frame.

## Top Mount Waste Containers 4WCTM-12DM1, 4WCTM-15DM2 and 4WCTM-18DM2

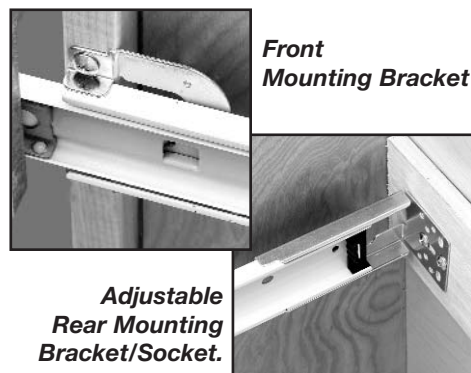


4WCTM-12DM1



4WCTM-15DM2

Each unit comes with a detailed instruction sheet for an easy install.



Front Mounting Bracket

Adjustable Rear Mounting Bracket/Socket.



4WCTM-18DM2

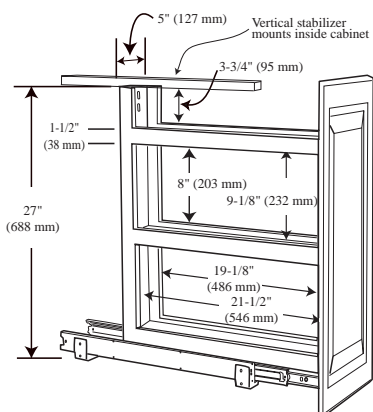
## Pull-Out Shelf 448-05C, 448-08C



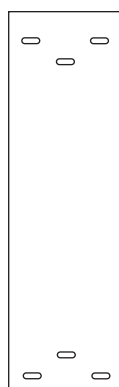
**STEP 1:**  
Use template to install slides and top stabilizer track.

**STEP 2:**  
For door mounting, utilize the slots provided on front of unit.

**STEP 3:**  
Chrome rails are provided to press fit into the predrilled holes on the sides of each shelf.



Depth of Unit (closed): 22-3/8" (569 mm)

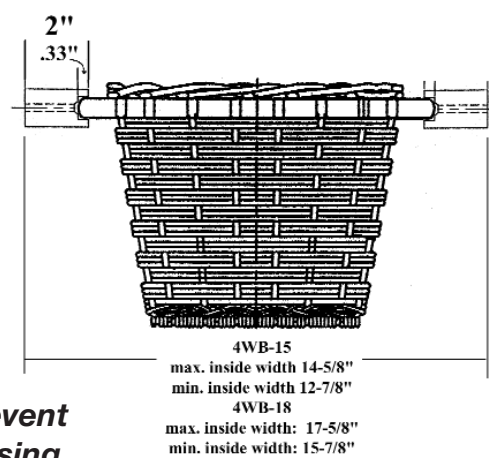


## Wicker Baskets 4WB-15, 4WB-18



Rev-A-Shelf Wood Classic Wicker Baskets come with two inch rails that can be cut down to your desired width.

Due to various applications, screws are not included.



Clear Polymer inserts to prevent contact with wicker when using basket for fruit or cloth items.

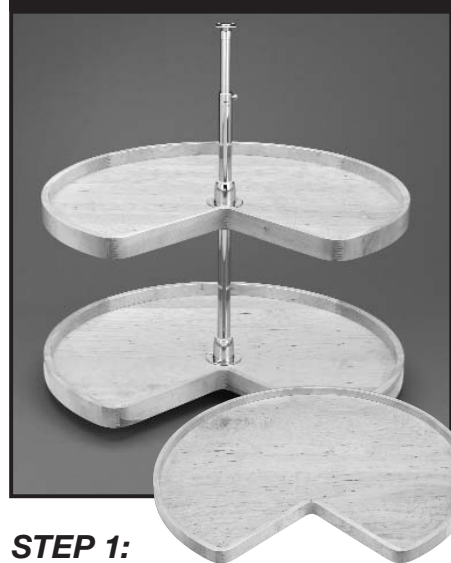
## Wood Lazy Susans Full Circle



**STEP 1:**  
See template for placement and instructions.

- 4WLS001-18-52 Tray Only
- 4WLS001-28-52
- 4WLS001-32-52
- 4WLS001-18-8 Bulk Trays
- 4WLS001-28-8
- 4WLS001-32-8
- 4WLS021-18-52 Single Tray w/ Hardware
- 4WLS021-28-52
- 4WLS021-32-52
- 4WLS072-18-52 Two Trays w/ Hardware
- 4WLS072-28-52
- 4WLS072-32-52
- 4WLS073-18-536 Three Trays w/ long post

## Wood Lazy Susans Kidney Shaped



**STEP 1:**  
See template for placement and instructions.

- 4WLS401-24-52 Tray Only
- 4WLS401-28-52
- 4WLS401-32-52
- 4WLS401-24-8 Bulk Trays
- 4WLS401-28-8
- 4WLS401-32-8
- 4WLS421-24-52 Single Tray w/ Hardware
- 4WLS421-28-52
- 4WLS421-32-52
- 4WLS472-24-52 Two Trays w/ Hardware
- 4WLS472-28-52
- 4WLS472-32-52

## Wood Classic Original Lazy Susans D-Shaped and Kidney

- 4200-20-52
- 4200-31-52

Tray Only

- 4272-20-52
- 4272-31-52

Two Trays with Hardware

- 4400-31-52

Tray Only

- 4472-31-52

Two Trays with Hardware

**STEP 1:**  
See template sheet for placement and instructions.