

NEW

Mixer Lift

“Changing the way you think about cabinet organization!”



Premiere
Cabinet Accessories

RAS-ML-HDCR

Patent Pending

Rev-A-Shelf introduces the latest break-through in kitchen convenience, the **NEW HEAVY-DUTY** chrome mixer lift. With an easy pull of the shelf, the heavy-duty lift mechanism gracefully raises your mixer to counter top level giving you the kitchen accessory you need in a matter of seconds. When you're finished, gently pull on the release levers and the lifting/lowering mechanism smoothly returns the mixer to your cabinet for convenient storage. The RAS-ML-HDCR also features built-in shock dampers, adjustable spring tension, and holds appliances up to 60 lbs.

Contains: Lifting Mechanism **ONLY**. Shelf not included.



Features easy customizing of the spring tension to fit the weight of your appliance! See reverse side for specifications.

REV-A-SHELF®

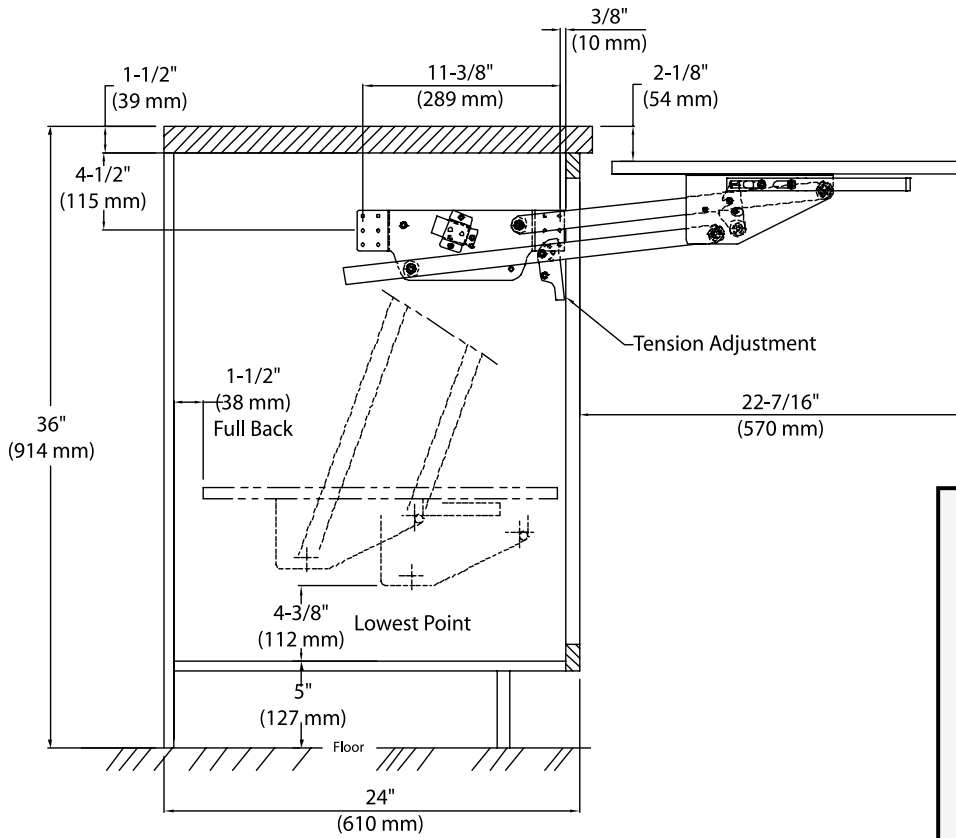
*Contact your local distributor today to find out more information and how you can purchase the **NEW Mixer Lift!***

2409 Plantside Drive • Jeffersontown, KY 40299
800-626-1126 • 502-499-5835 • FAX 502-491-2215
www.rev-a-shelf.com • rasmarketing@rev-a-shelf.com

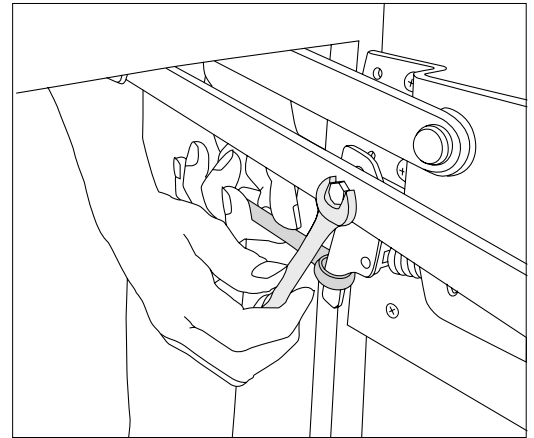
Specifications for Heavy Duty Chrome Mixer Lift

Patent Pending

Typical Cabinet Dimensions



Tension Adjustment



RECOMMENDED SPRING POSITION FOR VARYING MIXER WEIGHT

MIXER WT. LBS.	1	2	3
0			
5	1 1/2		
10	3	2 1/2	2
15	5	4	3
20	7	5	4
25	9	7	6
30	11	9	8
40		14	12
60			45

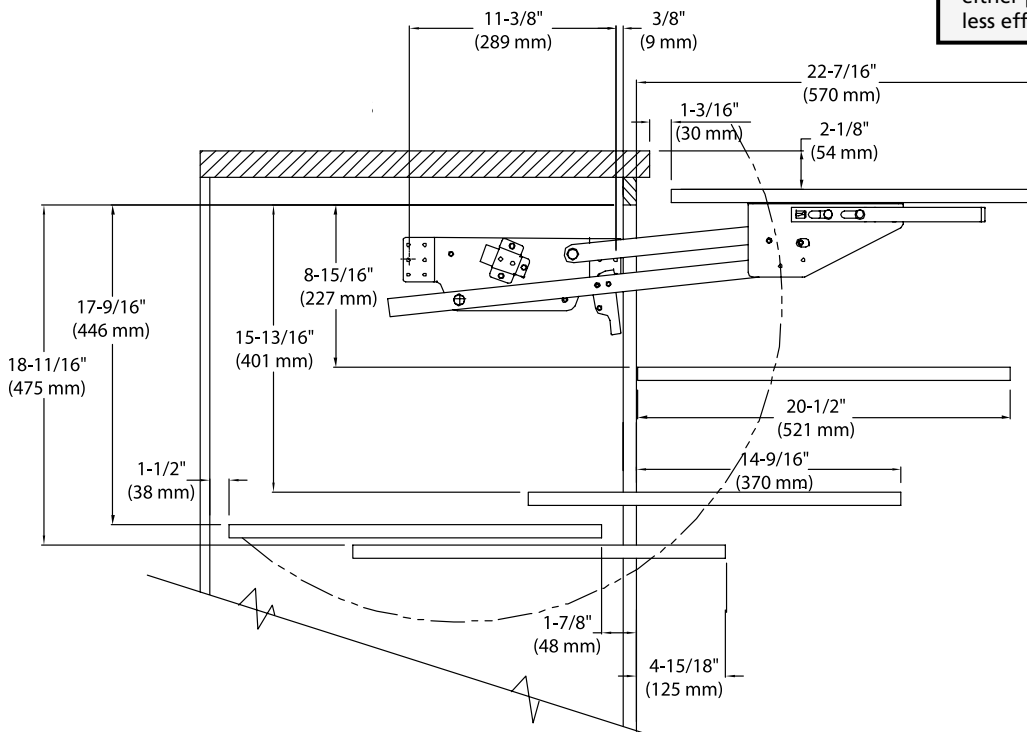
PULL UP FORCE REQUIRED—LBS.

Mixer Lift is shipped in position one, which is for lighter weight mixers.

☐ = Recommended Spring Setting

For example: If your mixer weighs 18 lbs. we recommend either position 1 or 2. Position 2 will require slightly less effort to lift.

Mixer Clearance Dimensions



2409 Plantside Drive • Jeffersontown, KY 40299
800-626-1126 • 502-499-5835 • FAX 502-491-2215
www.rev-a-shelf.com • rasmktg@rev-a-shelf.com

Contact your local distributor today to find out more information and how you can purchase them!