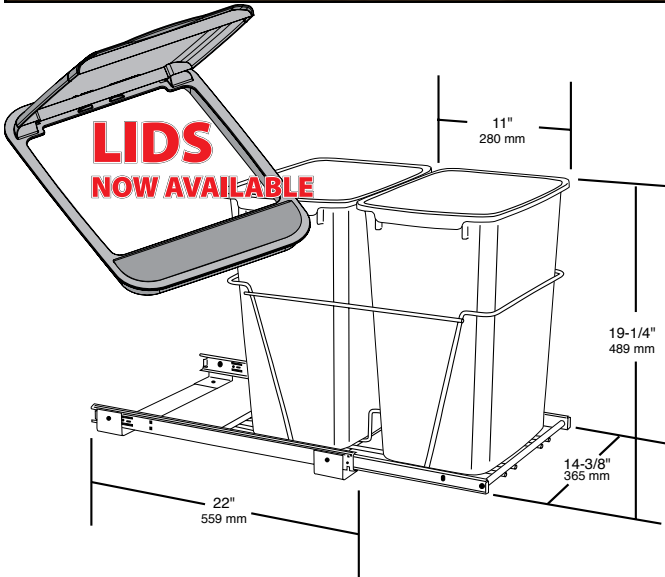
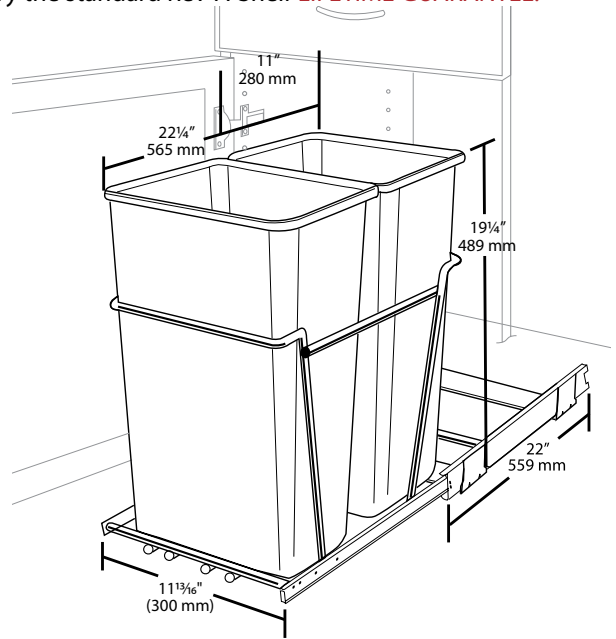


For situations that need more than one trash can, Rev-A-Shelf offers the double pull-out Waste Container Series. Made with the same great features as the single pull-out, this series is available in a double 27 Qt. or a double 35 Qt. version. These durable pull-out waste containers are packaged fully assembled and carry the standard Rev-A-Shelf **LIFETIME GUARANTEE**.



RV-15KD-18C S



RV-18KD-18C S

WASTE CONTAINERS



PRODUCT #'s	DESCRIPTION	PRODUCT DIMENSIONS	FINISH	SET PER CARTON	WEIGHT PER CARTON	SUGGESTED LIST PRICE
RV-15KD-18C S	Double 27 Qt. Containers/Full-Extension Slides	11 ³ / ₁₆ " (300 mm)W x 22 ¹ / ₄ " (565 mm)D x 19 ¹ / ₄ " (489 mm)H	Black, Chrome	1	14 lbs.	\$115.70
RV-18KD-18C S	Double 35 Qt. Containers/Full-Extension Slides	14 ³ / ₈ " (365 mm)W x 22" (559 mm)D x 19 ¹ / ₄ " (489 mm)H	Black, Chrome	1	15 lbs.	\$129.35

Pull-Out Waste Container, Black

Individual Pack

CONTAINS:
 RV-15KD-18C S (2) containers, frame, full-extension slides, 100# Weight Rating.
 RV-18KD-18C S (2) containers, frame, full-extension slides, 100# Weight Rating.
NOTES: All RV Series waste containers come fully assembled and install with four screws.

RV SERIES

PULL-OUT WASTE CONTAINERS

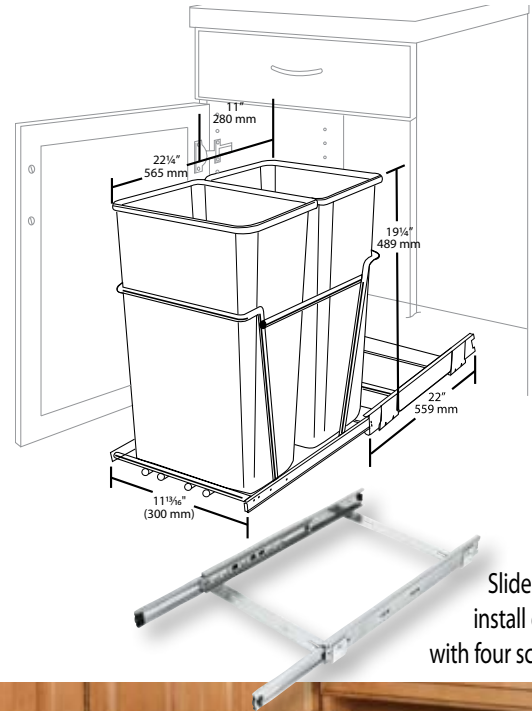
Our extremely popular RV-Series Waste Container is regarded as the best in the industry, the RV Series features a heavy-duty wire frame construction; full-extension ball bearing slides and easy bottom mount installation with just four screws. These durable pull-out waste containers are packaged fully assembled and carry the standard Rev-A-Shelf **LIFETIME GUARANTEE**.

WASTE CONTAINERS

Rev-A-Shelf
Accessible Storage



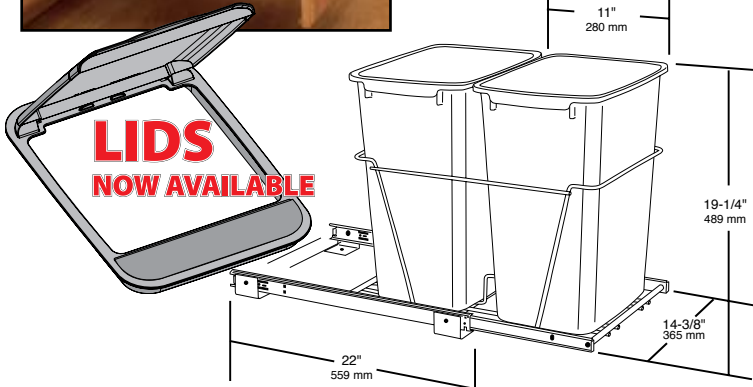
RV-15KD-17C S



Slide units install easily with four screws!



DOOR MOUNT KIT FOR RV SERIES CONTAINERS!



RV-18KD-17C S

PRODUCT #'s	DESCRIPTION	PRODUCT DIMENSIONS	FINISH	SET PER CARTON	WEIGHT PER CARTON	SUGGESTED LIST PRICE
Pull-Out Waste Container, Metallic Silver			Individual Pack			
RV-12KD-17C S	Single 35 Qt.	10 5/8" (270 mm)W x 22" (559 mm)D x 19 1/4" (489 mm)H	Silver, Chrome	1	12 lbs.	\$86.70
RV-15KD-17C S	Double 27 Qt. Containers/Full-Extension Slides	11 13/16" (300 mm)W x 22 1/4" (565 mm)D x 19 1/4" (486 mm)H	Silver, Chrome	1	14 lbs.	\$115.70
RV-18KD-17C S	Double 35 Qt. Containers/Full-Extension Slides	14 3/8" (365 mm)W x 22" (559 mm)D x 19 1/4" (489 mm)H	Silver, Chrome	1	15 lbs.	\$129.35
RV DM17 KIT	Heavy Duty Door Mount Kit (Includes Euro Adapter Kit)			Silver Epoxy	1	2 lbs.

CONTAINS: RV-15KD-17C S (2) containers, frame, full-extension slides, 100# Weight Rating RV-18KD-17C S (2) containers, frame, full-extension slides, 100# Weight Rating

RV-12KD-17C S (1) container, frame, full-extension slides, 100# Weight Rating

NOTES: All RV Series waste containers come fully assembled and install with four screws