



Our extremely popular RV-Series Waste Container is now available in chrome! Regarded as the best in the industry, the RV Series features a heavy-duty wire frame construction; full-extension ball bearing slides and easy bottom mount installation with just four screws. These durable pull-out waste containers are packaged fully assembled and carry the standard Rev-A-Shelf **LIFETIME GUARANTEE.**



Slide units install easily with four screws!

PRODUCT #s	DESCRIPTION	PRODUCT DIMENSIONS	FINISH	SET PER CARTON	WEIGHT PER CARTON	SUGGESTED LIST PRICE
Pull-Out Waste Container, Black						Individual Pack
RV-12KD-18C S	Single 35 Qt.	10 $\frac{1}{2}$ " (270 mm)W x 22" (559 mm)D x 19 $\frac{1}{4}$ " (489 mm)H	Black, Chrome	1	12 lbs.	\$86.70

CONTAINS: RV-12KD-18C S (1) container, frame, full-extension slides, 100# Weight Rating.
 NOTES: All RV Series waste containers come fully assembled and install with four screws.

RV DM17 KIT

SILVER DOOR MOUNT KIT

All RV Series Waste Containers can be attached to the cabinet door for an easy one step process with the patented Heavy-Duty Door Mount Kit. This system is considered the best in the industry with a six-way adjustable door-mounting bracket for easy installation and simple job site adjustments.



Spacer that extends the mounting bracket into the thick portion of the door.

PRODUCT #s	DESCRIPTION	FINISH	SET PER CARTON	WEIGHT PER CARTON	SUGGESTED LIST PRICE
Door Mount Kit, Silver					
RV DM17 KIT	Heavy Duty Door Mount Kit (Includes Euro Adapter Kit)		Silver Epoxy	1	2 lbs.

CONTAINS: (2) Product Members, (1) set—Door Brackets (1 left & 1 right), (2) 1/4" x 1/2" Bolts, (2) 1/4" x 1/2" Bolts with washers, (4) #10 x 1/2" truss head screws, (4) nylock nuts. Spacer Kit: (2) 1/4" x 1" Bolts, (2) 1/4" x 1" Bolts with washers, (2) 3/8" Spacers. US PATENT NO: 6,390,576

RV SERIES

PULL-OUT WASTE CONTAINERS

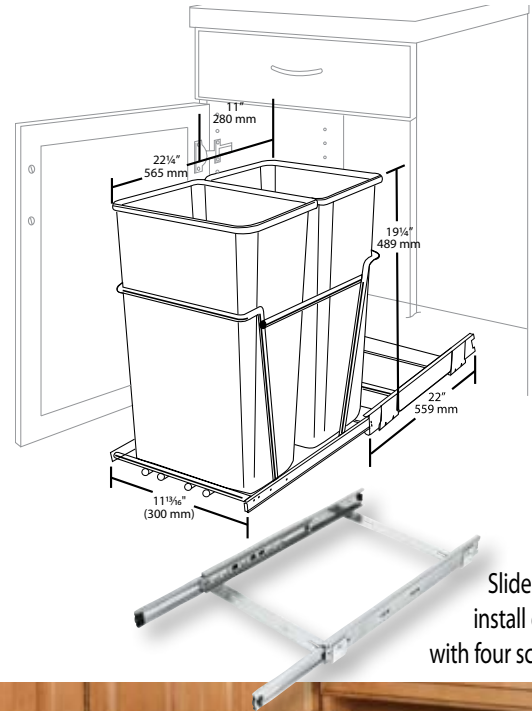
Our extremely popular RV-Series Waste Container is regarded as the best in the industry, the RV Series features a heavy-duty wire frame construction; full-extension ball bearing slides and easy bottom mount installation with just four screws. These durable pull-out waste containers are packaged fully assembled and carry the standard Rev-A-Shelf **LIFETIME GUARANTEE**.

WASTE CONTAINERS

Rev-A-Shelf
Accessible Storage



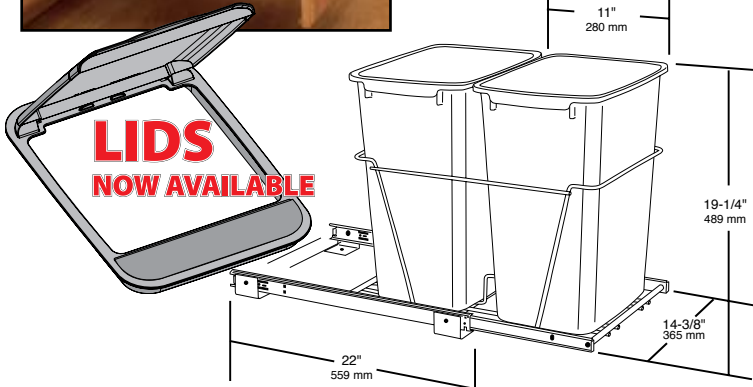
RV-15KD-17C S



Slide units install easily with four screws!



DOOR MOUNT KIT FOR RV SERIES CONTAINERS!



RV-18KD-17C S

PRODUCT #'s	DESCRIPTION	PRODUCT DIMENSIONS	FINISH	SET PER CARTON	WEIGHT PER CARTON	SUGGESTED LIST PRICE
Pull-Out Waste Container, Metallic Silver			Individual Pack			
RV-12KD-17C S	Single 35 Qt.	10 5/8" (270 mm)W x 22" (559 mm)D x 19 1/4" (489 mm)H	Silver, Chrome	1	12 lbs.	\$86.70
RV-15KD-17C S	Double 27 Qt. Containers/Full-Extension Slides	11 3/16" (300 mm)W x 22 1/4" (565 mm)D x 19 1/4" (486 mm)H	Silver, Chrome	1	14 lbs.	\$115.70
RV-18KD-17C S	Double 35 Qt. Containers/Full-Extension Slides	14 3/8" (365 mm)W x 22" (559 mm)D x 19 1/4" (489 mm)H	Silver, Chrome	1	15 lbs.	\$129.35
RV DM17 KIT	Heavy Duty Door Mount Kit (Includes Euro Adapter Kit)			Silver Epoxy	1	2 lbs.

CONTAINS: RV-15KD-17C S (2) containers, frame, full-extension slides, 100# Weight Rating RV-18KD-17C S (2) containers, frame, full-extension slides, 100# Weight Rating

RV-12KD-17C S (1) container, frame, full-extension slides, 100# Weight Rating

NOTES: All RV Series waste containers come fully assembled and install with four screws