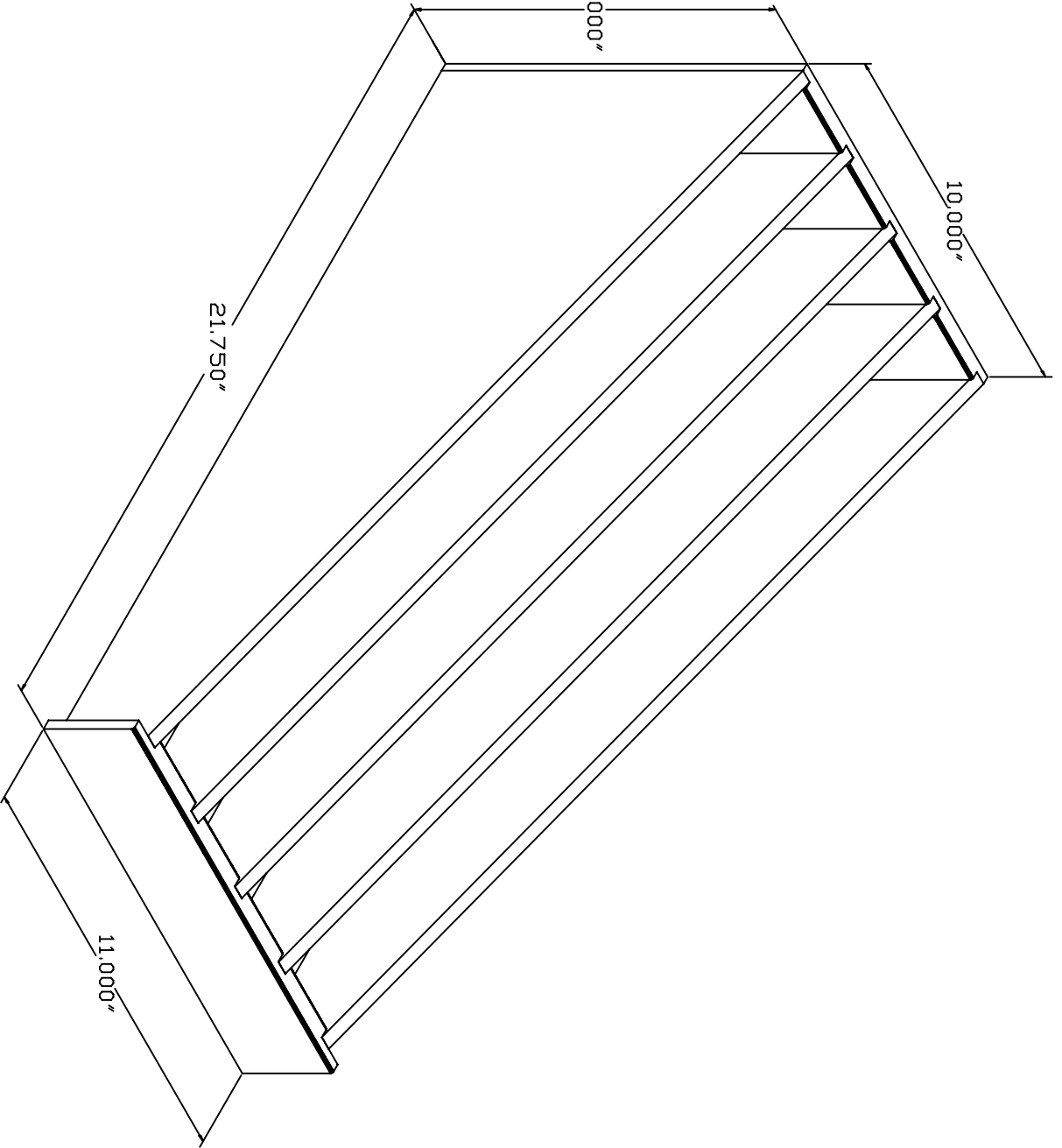




Omega National

P R O D U C T S

1010 Rowe Street • Elkhart, Indiana, USA 46516-5589
Phone (574)295-5353 • Fax (574)295-5329
www.omeganationalproducts.com



SCALE:

THIS MATERIAL IS THE CONFIDENTIAL PROPERTY OF OMEGA NATIONAL PRODUCTS, LLC AND CONTAINS VALUABLE INFORMATION AND DATA THAT MAY NOT BE DUPLICATED, DISCLOSED OR GIVEN IN ANY FORM TO ANYONE WITHOUT PRIOR WRITTEN AUTHORIZATION FROM AN OFFICER OF THE COMPANY. THE INFORMATION AND DATA CONTAINED IN THIS MATERIAL COMPRISE TRADE SECRETS AND ARE PROTECTED UNDER FEDERAL AND STATE LAWS THAT PROVIDE FOR CIVIL AND CRIMINAL PENALTIES. IF YOU HAVE RECEIVED THIS MATERIAL UNINTENTIONALLY, PLEASE TREAT IT AS CONFIDENTIAL AND NOTIFY OMEGA NATIONAL PRODUCTS, LLC IMMEDIATELY BY CALLING 574-295-5353.

MATERIAL: HMA/MDF/HMA

TOL: ±.015"

DRAWN: JLU

APPRVD:

DATE: 07/23/07

NOTES: T3196

DESC: Complete Unit

PART#: T3196

DWG: T3196

REV:

PAGE: 1