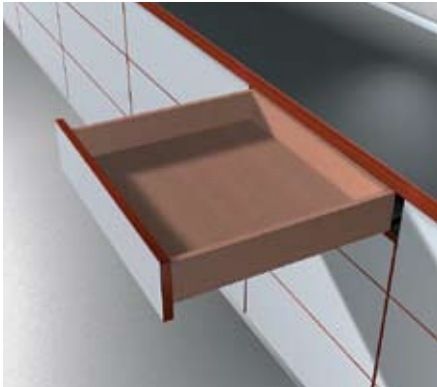


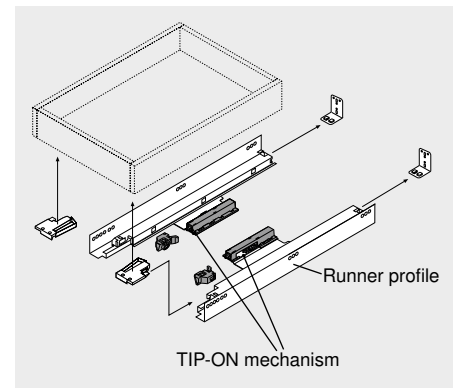
Overlay application



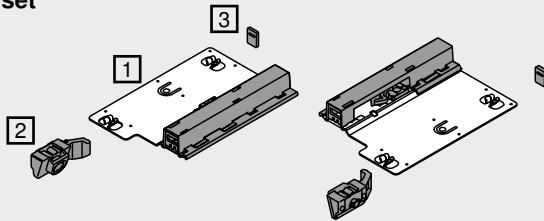
Description

- Designed for drawers without pulls
- Opens the drawer with just a touch of the drawer front
- Tool-free attachment of mechanism and trigger to the cabinet profile
- Performs best with loads up to 45 lbs.
- Only works with TANDEM plus 562 H/F series runners without BLUMOTION

Basic components



TIP-ON set



One set required per drawer

Package contains:

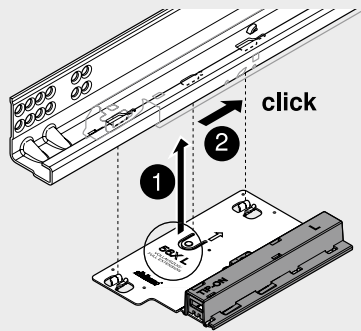
- 1 2 x TIP-ON mechanisms
- 2 2 x adjustable triggers
- 3 2 x rear hook spacers

TIP-ON set

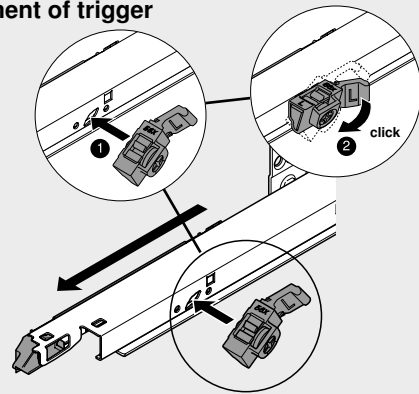
T55.7150

Assembly and adjustment

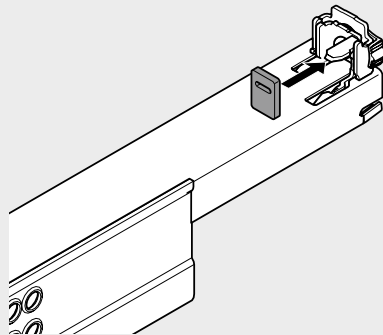
Attachment of mechanism



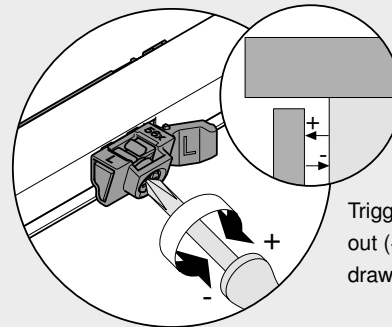
Attachment of trigger



Attachment of rear hook spacer



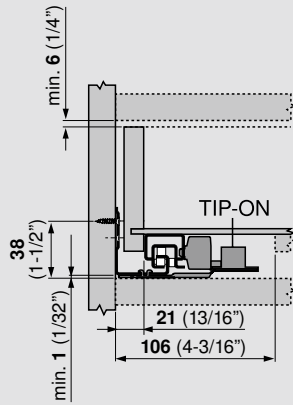
Adjustment



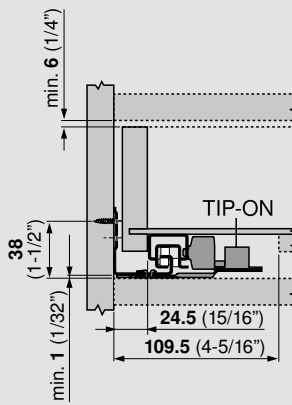
Trigger allows in (-3) and out (+2) adjustment of the drawer front.

Installation

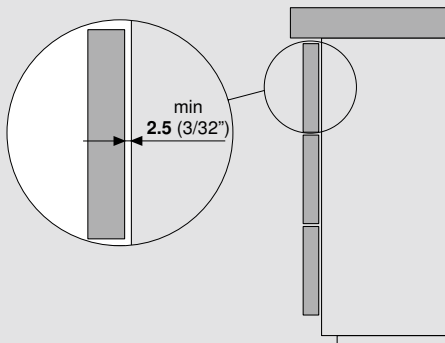
TANDEM 562H dimensions



TANDEM 562F dimensions



Minimum front gap



Drawer back preparation

