

Product Information



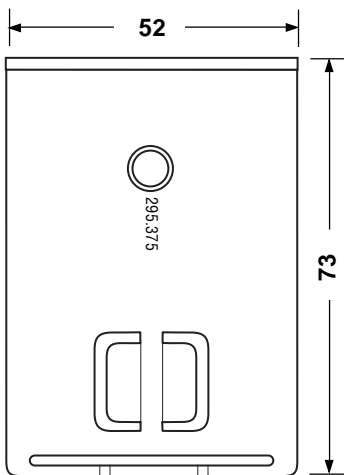
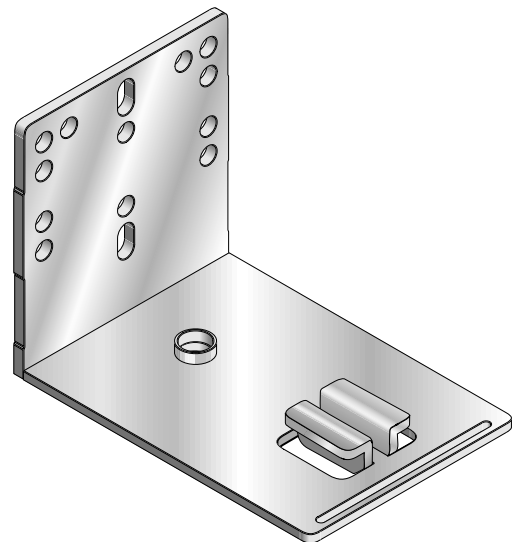
Reference Number <p style="text-align: center;">295.3750</p>	Description <p style="text-align: center;">TANDEM Rear Mount Bracket</p>	<p style="text-align: center;">9803</p>
Application <ul style="list-style-type: none"> For all TANDEM 552H, 562H, 552F and 562F concealed drawer runners when used in face frame cabinet applications. Replaces 295.3550 		<ul style="list-style-type: none"> ✓ New Product Product Change Application
		Date <p style="text-align: center;">7/8/98</p>

Features:

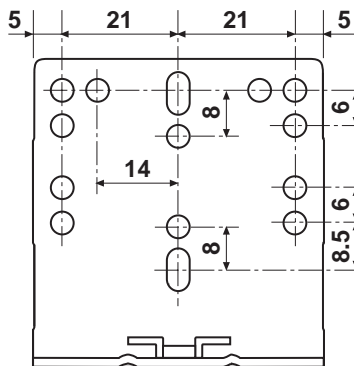
- Universal bracket for left or right applications, non-handed
- Wide base for stability on cabinet back panel
- Stamped steel, zinc plated

Packaging:

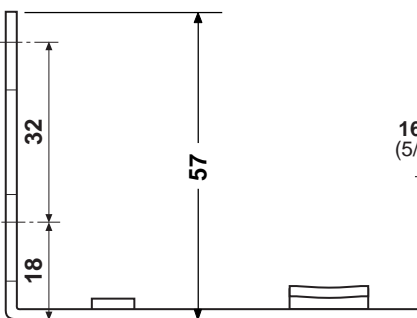
10 pcs/ctn, 5 ctns/case
 100 pcs/case



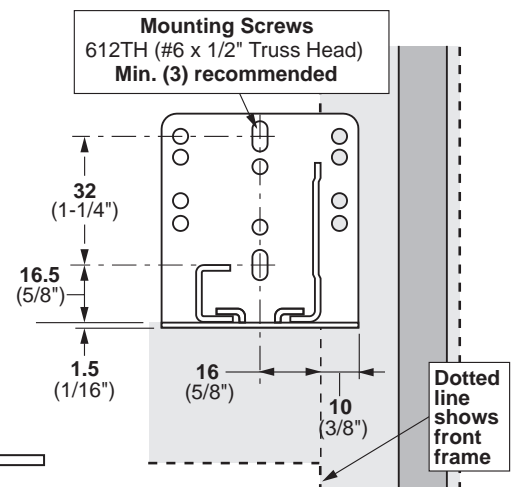
Top View



Front View



Side View



Installation dimensions