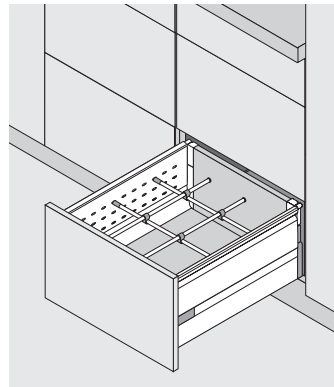


Double-wall BOXSIDE for TANDEMBOX drawers



- Add-on side panels that extend drawer height and enable interior organization of the drawer
- For use with TANDEMBOX drawers with gallery rails only. (ex. 358M5500I + ZRE.IC)
- Tool-free positioning of gallery rails
- Available in stainless steel finish
- Requires ZRR.5000 add-on rear gallery brackets

Specifications

1 Double-wall BOXSIDE set 128 (5") high

For drawer length	Stainless steel (I)
400 (16")	Z37H368I.E
450 (18")	Z37H418I.E
500 (20")	Z37H468I.E
550 (22")	Z37H518I.E

BOXSIDE divider sets

For cabinets up to 600 (24") wide

- For drawer lengths 500 and 550
- Rails in chrome (CR), nylon parts in dust gray (R7037). Includes:

- 2 2 lateral gallery rails 470 (18-1/2") long
- 3 2 cross gallery rails (cut to length)
- 4 4 cross gallery connectors
- 5 4 joining connectors
- 6 4 end caps

ZRI.60B006

For cabinets up to 1200 (47") wide

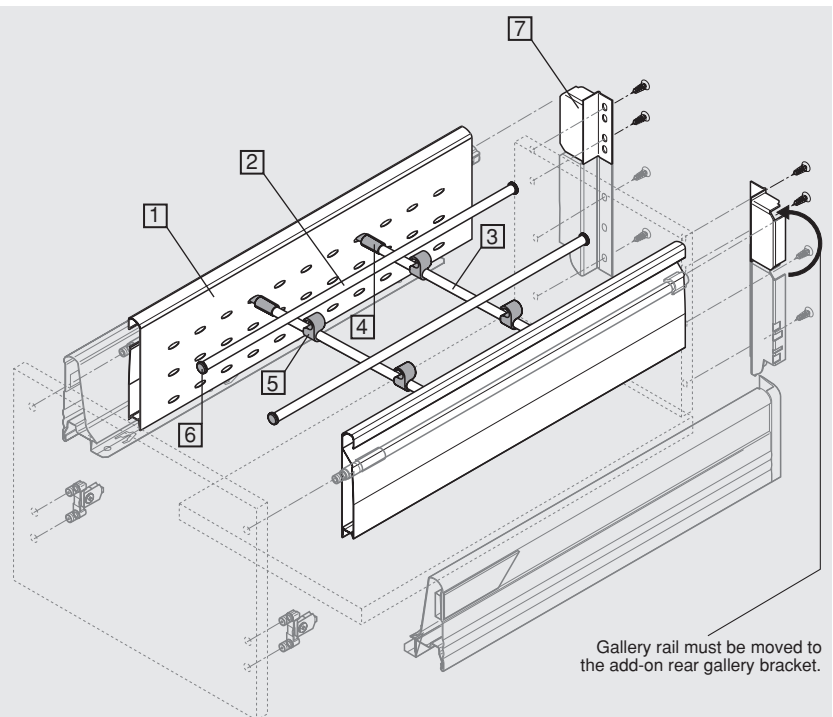
- For drawer lengths 500 and 550
- Rails in chrome (CR), nylon parts in dust gray (R7037). Includes:

- 2 3 lateral gallery rails 470 (18-1/2") long
- 3 2 cross gallery rails (cut to length)
- 4 4 cross gallery connectors
- 5 6 joining connectors
- 6 6 end caps

ZRI.12B006

7 Add-on rear gallery bracket, non-handed
For use with double-wall BOXSIDE
Bright nickel (NI)

ZRR.5000



Gallery rail must be moved to the add-on rear gallery bracket.

