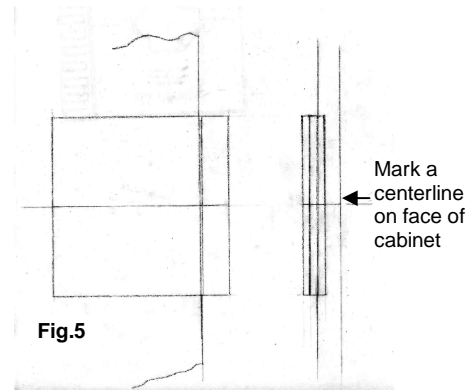
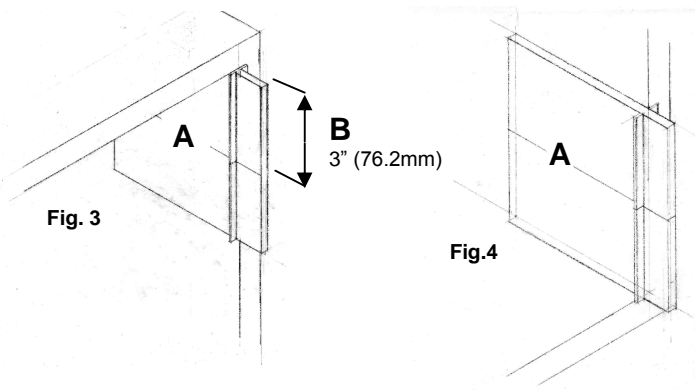
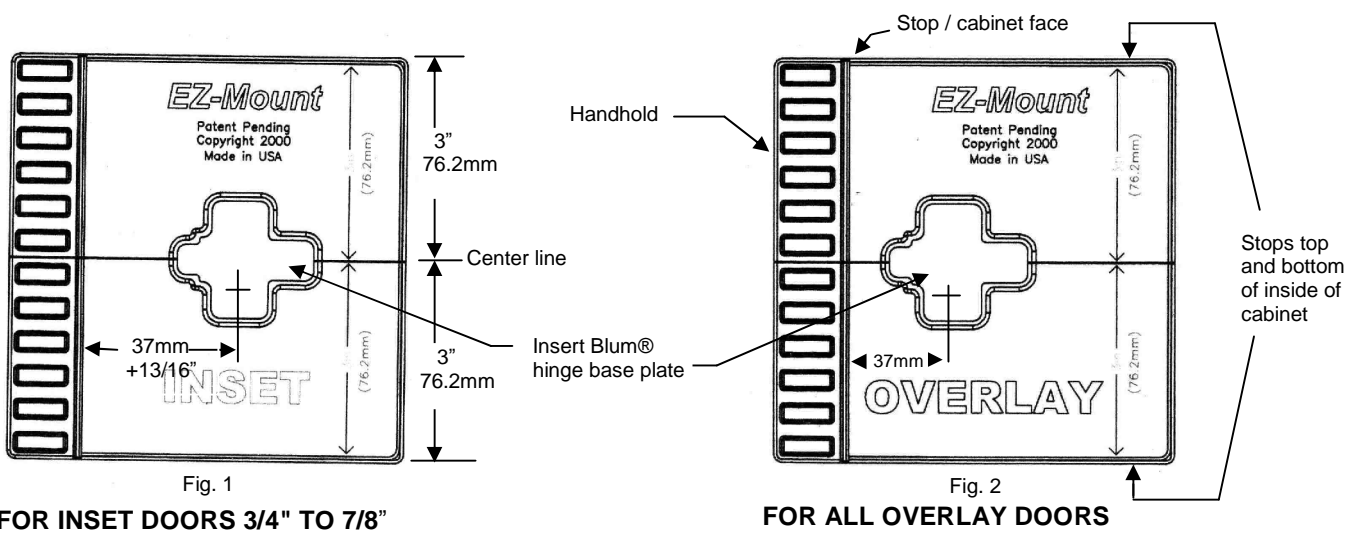


EZ-Mount

HINGE PLATE JIG and DOOR HINGE CENTERING GUIDE
<http://www.ez-mount.com> service@ez-mount.com

SCHEMATIC DIAGRAMS

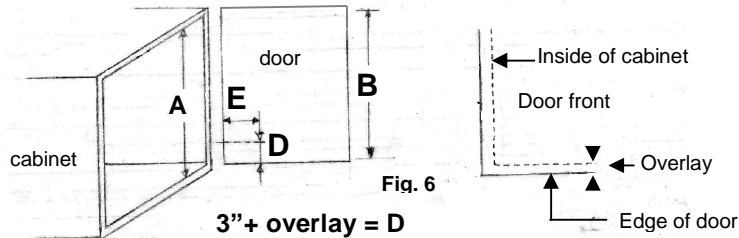


Insert hinge plate by pressing it into the EZ-Mount guide (A, fig.3) slide the EZ-Mount tight against the top of cabinet making sure the guides stop firmly against face of cabinet. While holding guide in place, use a centering bit to pre-drill the hinge plate, screw hinge plate down, lift off EZ-Mount guide and repeat process at bottom of cabinet (see fig. 4).

When using three (3) hinges on a door it is recommended that the third hinge be mounted in the center of door. Mark a line on face of cabinet centered between center of top and bottom hinge plates (already mounted). Align centerline of EZ-Mount guide with centering mark on face of the cabinet (see fig. 5). While holding guide in place, pre-drill and screw hinge plate into place. Lift off EZ-Mount guide.

HINGE BORING INSTRUCTIONS

Overlay Door

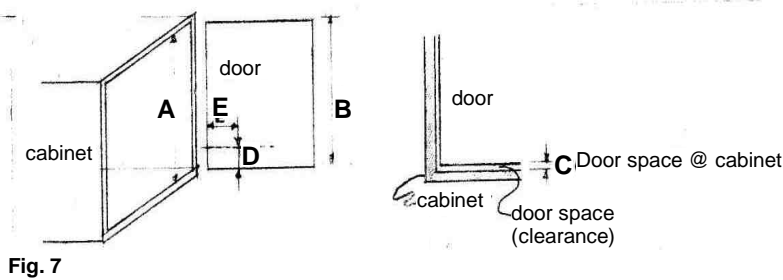


The EZ-Mount hinge plate guide assures an accurate 3" (76.2mm) center of hinge plate from inside bottom or top of cabinet. The hinge bore placement from top or bottom of door is equal to 3" (76.2mm) plus the desired overlay of the door.

Example:

The bottom of the door overlays cabinet frame by 3/4" top of door overlays cabinet frame by 1/4". For bottom hinge center of the door you add 3/4" to 3", equaling 3 3/4" this is your center point from bottom of door (see fig. 6, D). The measurement for the centering of the top hinge would be 3 1/4". See Blum® hinge boring instructions for E fig. 6

Inset Door



The EZ-Mount hinge plate guide assures you of a 3" (76.2mm) center from inside top and bottom of cabinet (see A fig.3, fig. 4). Cabinet opening A minus the door height B divided by two equals door clearance C. To calculate the hinge bore centerline D, subtract C from 3" (76.2mm). See Blum® hinge boring instructions for E.