

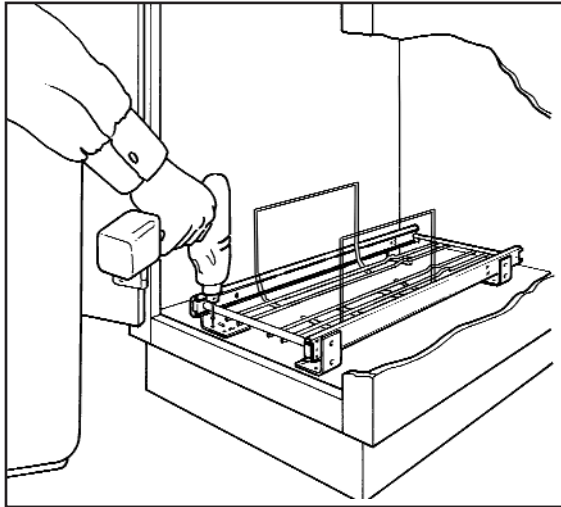
Installation Instructions for: RV-Series Pull-Out Hampers and Utility Baskets with full extension slides



If you have any questions or would like additional information on the rest of our products, please contact our Customer Service Specialist at: 1-800-626-1126

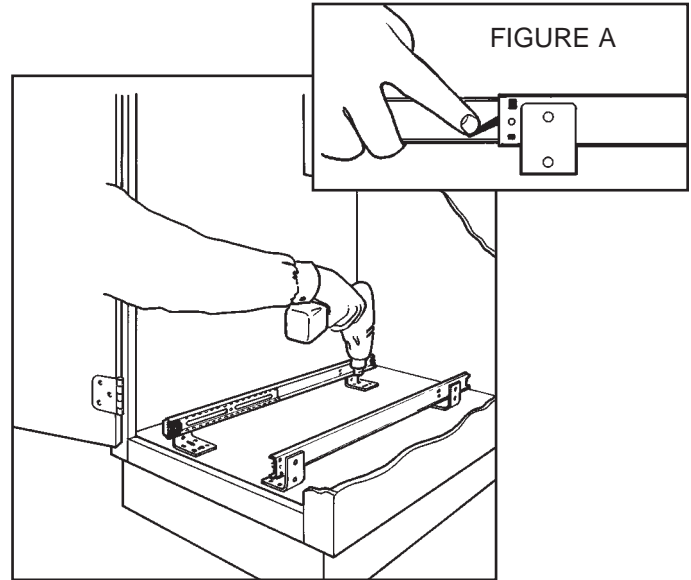
The entire family of RV Series Products can be door mounted using the Rev-A-Shelf Door Mounting Kit (part # RV-DM KIT)

1



Your RV Series Accessory has been shipped fully assembled for ease in installation. First remove the container(s) from the wire assembly, place the framework inside your designated space for installation. In the closed position, insert the front 2 screws, making sure the framework is square with the front of the cabinet.

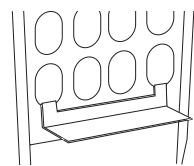
2



If sufficient clearance, proceed to install the rear 2 screws and your installation is complete. If sufficient clearance is not available, mark two rear screw locations with a pencil, pull the framework completely out and on the outside of each slide, you will find a black trigger (figure A), which releases the slides and disassembles the framework from the floor mounted slides. Remove the framework, line up rear screw locations with your pencil marks and install the rear screws. Then re-assemble the framework, and your installation is complete.

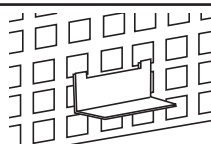
NOTE: If not door mounting, remove black stops on rear of slides

NOTE: The **HPRV** Hamper includes a retaining clip which attaches to the rear of the hamper. Simply slide this clip onto the hamper on the bottom row of holes.

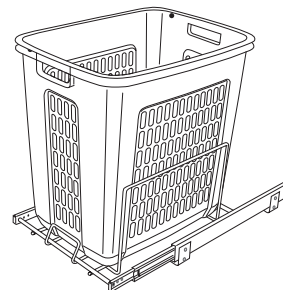
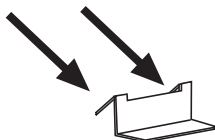


Retaining Clip

NOTE: The **HURV** Utility basket includes a retaining clip which attaches to the rear of the basket. Simply center this clip on the third row from the bottom and bend retaining clips down to keep clip in place.



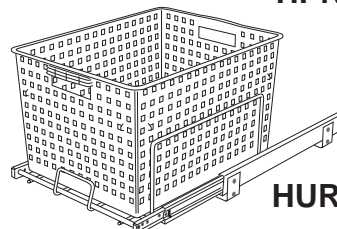
Retaining Clip



HPRV-1520 S



HRV-1215 S
HRV-1220 S
HRV-1515 S
HRV-1520 S



HURV-1512 S