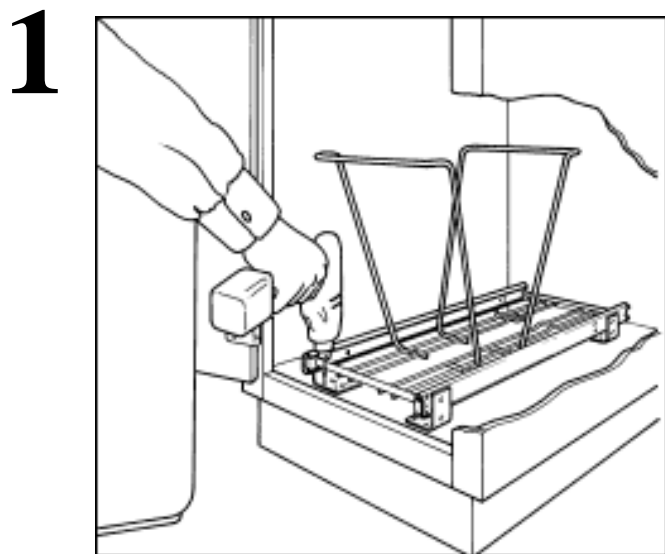
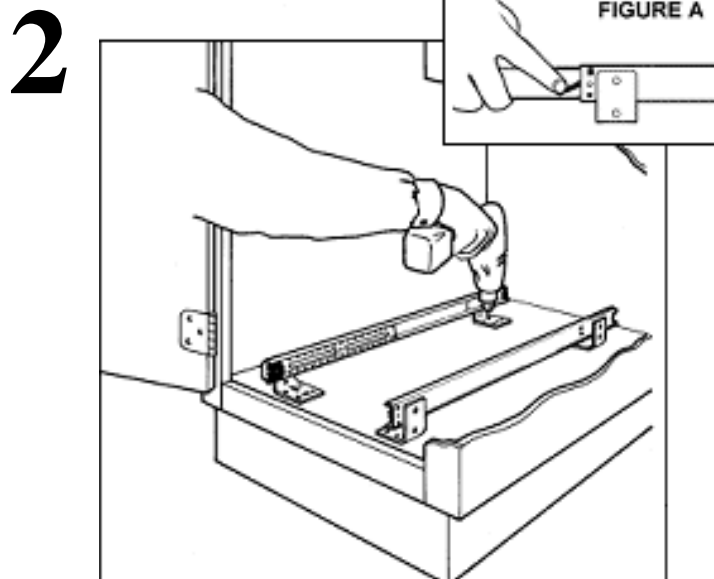


REV-A-SHELF® RV-Series Pull-Out Waste Containers

Installation Instructions

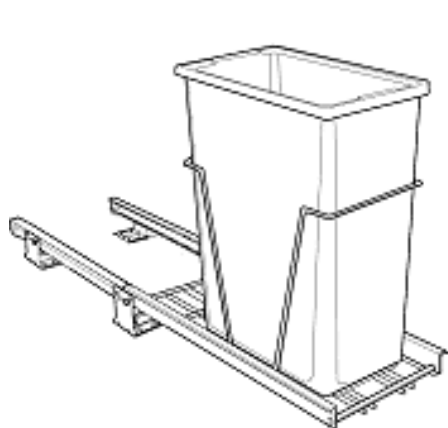


Your RV Series Waste Container has been shipped fully assembled for ease in installation. First remove the container(s) from the wire assembly, place the framework inside your designated space for installation. In the closed position, insert the front 2 screws, making sure the framework is square with the front of the cabinet.

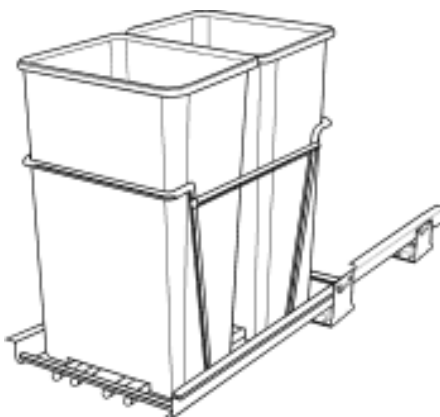


If sufficient clearance, proceed to install the rear 2 screws and your installation is complete. If sufficient clearance is not available, pull the framework completely out and on the outside of each slide, you will find a black trigger (figure A), which releases the slides and disassembles the framework from the floor mounted slides. Remove the framework, and being sure the slides are square to the front, install the rear screws. Then re-assemble the framework, and your installation is complete.

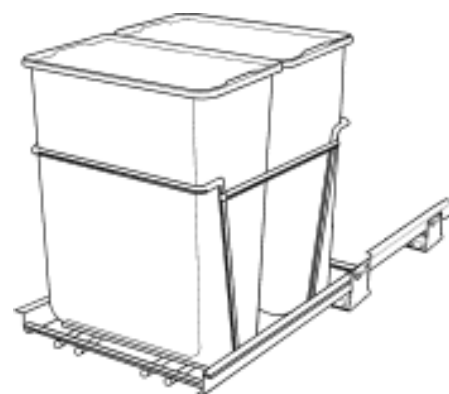
3



RV-9PB



RV-15PB-2



RV-16PB-2

Should you encounter any problems or have any additional questions or requirements, please contact