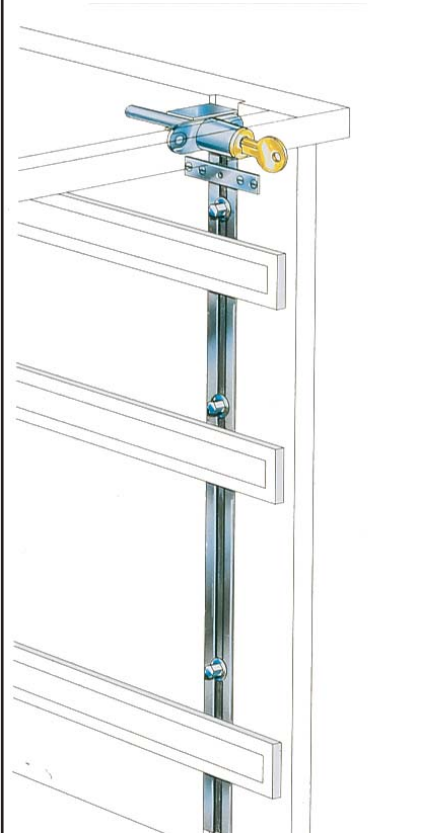


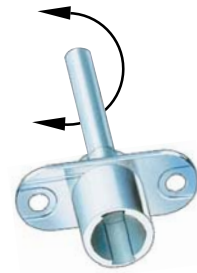
# SYSTEM 100



- LOCK MOUNTED IN FIXED RAIL

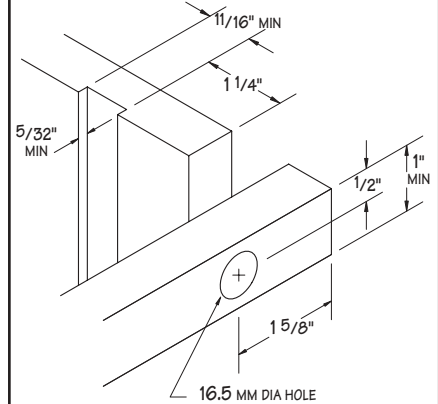


CB-100  
TYPE 100  
CYLINDER  
BODY



LC-100  
TYPE 100  
LOCKBAR CLIP

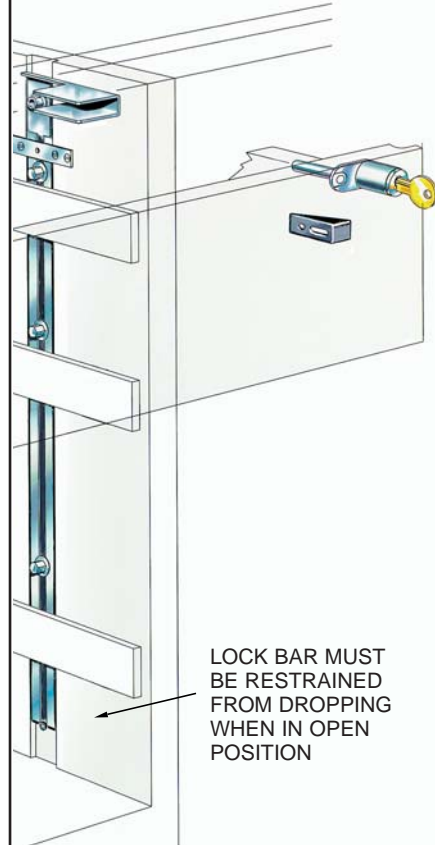
TYPICAL INSTALLATION DETAILS



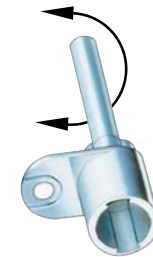
# SYSTEM 104



- LOCKBAR LOCATED FURTHER BACK IN CASE



CB-101  
TYPE 101  
CYLINDER  
BODY



EXTENDED  
LOCKBAR CLIP  
LC-104 (RIGHT HAND)  
LC-114 (LEFT HAND)

TYPICAL INSTALLATION DETAILS

