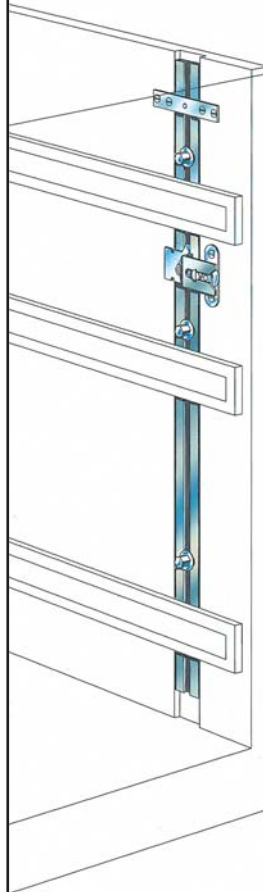
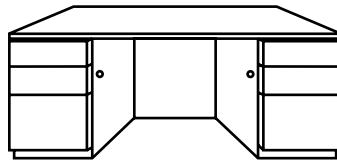


# SYSTEM 150

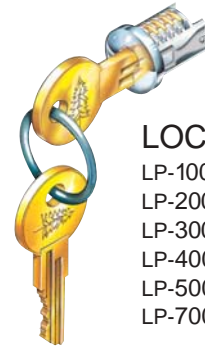
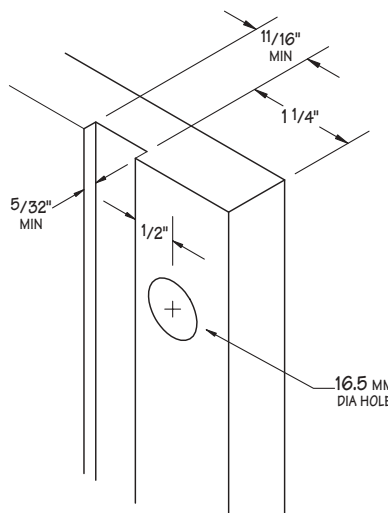
SIDE MOUNTED GANG LOCK  
FOR MULTIPLE DRAWERS



- FULL 1/2" LOCKBAR THROW
- FITS WITHIN 1/2" DRAWER SLIDE CLEARANCE
- MINIMAL MACHINING REQUIRED:
  - HOLE FOR LOCK
  - GROOVE FOR LOCKBAR



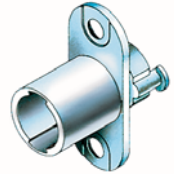
TYPICAL INSTALLATION DETAILS



## LOCK PLUGS

- LP-100 Nickel
- LP-200 Old English
- LP-300 Black
- LP-400 Statuary Bronze
- LP-500 Brass
- LP-700 Satin Nickel

CB-150  
TYPE 150  
CYLINDER  
BODY



LC-150  
TYPE 150  
LOCKBAR CLIP

LB-240  
LOCKBAR  
24" STANDARD  
OR CUT TO SIZE



AP-037 3/8"  
ADJUSTABLE PIN



LR-100  
LOCKBAR RETAINER



DC-500 DRAWER LOCKING CLIP

