

Product Information



Reference Number T51.1700.04L T51.1700.04R	Description TANDEM Locking Devices	9701
Application <ul style="list-style-type: none"> Used with current 550H, 560H and 552F TANDEM series runners and with future 552H and 562H series. 		New Product ✓ Product Change Application
		Date 3/5/97

This bulletin supersedes Product Information 9605, dated 2/19/96

Improvement Feature:

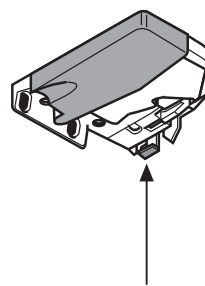
The new locking device permits height adjustment of the drawer without using tools.

Packaging:

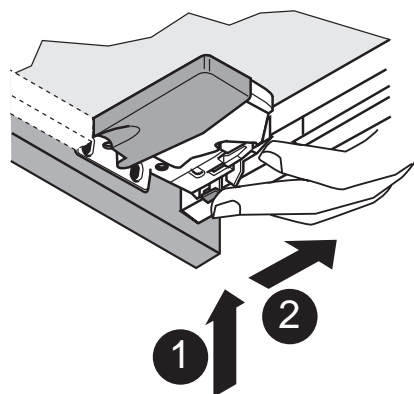
100 per box
 Min. order qty.= 100pcs.

Availability:

To replace existing T51.1700 L&R,
 Running change.



New Adjustment Latch



1. Press down on adjustment latch.
2. Push latch towards back of drawer after pressing down.