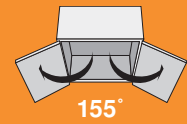


CLIP top zero protrusion hinges



155°

CLIP top/CLIP



Features

- 155° opening angle
- 3-dimensional adjustment
- All metal hinge, nickel plated
- Available with INSERTA tool-free attachment
- For cabinets with interior drawers

Cover caps
Mounting plates
BLUMOTION for doors

page 28
pages 45-49
page 73

Minimum Reveal

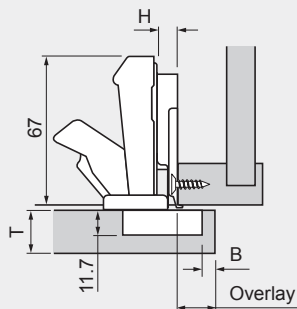
Minimum reveal table						
0	0	0	0	0	0	3
0	0	0	0	0	0	4
0	0	0	0	0	0	5
0	0	0	0	0	0	6
16	18	19	20	22	24	B
T Door thickness						Bore

No minimum reveal required for door thicknesses of up to 24mm

See back cover fold out for more specifications →

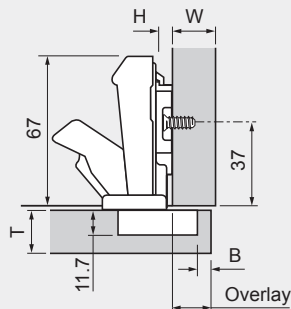
Frame cabinet applications

Overlay door



Panel cabinet applications

Overlay door

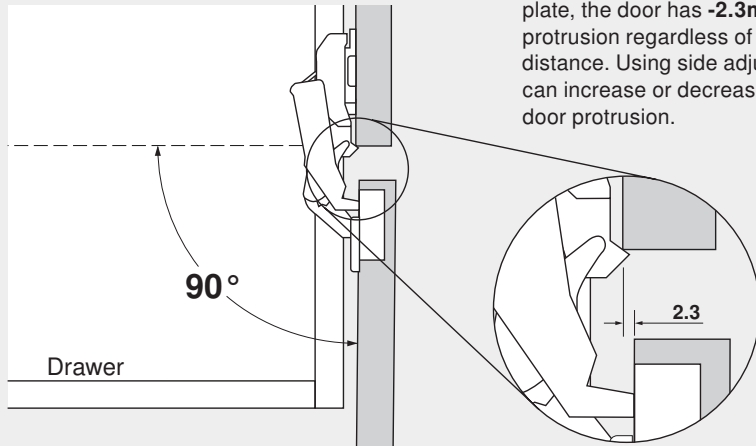


Straight-arm hinges

	Self close
Screw-on	71T7500
Press-in	71T7530
INSERTA	71T7540

Overlay table						
0	14	15	16	17	-2.3	56
3	11	12	13	14	.7	56
H	3	4	5	6	P	S
Plate	B Bore distance				Clearances	

Door protrusion



Note: At 90° opening, using a 0mm plate, the door has -2.3mm protrusion regardless of boring distance. Using side adjustment can increase or decrease door protrusion.